

PARTS LIST

CAUTION

- The parts identified by the \triangle symbol are important for the safety. Whenever replacing these parts, be sure to use specified ones to secure the safety.
- The parts not indicated in this Parts List and those which are filled with lines — in the Parts No. columns will not be supplied.
- P. W. Board Ass'y will not be supplied, but those which are filled with the Parts No. in the Parts No. columns will be supplied.

ABBREVIATIONS OF RESISTORS, CAPACITORS AND TOLERANCES

RESISTORS		CAPACITORS	
C R	Carbon Resistor	C CAP.	Ceramic Capacitor
F R	Fusible Resistor	E CAP.	Electrolytic Capacitor
P R	Plate Resistor	M CAP.	Mylar Capacitor
V R	Variable Resistor	HV CAP.	High Voltage Capacitor
HV R	High Voltage Resistor	MF CAP.	Metalized Film Capacitor
MF R	Metal Film Resistor	MM CAP.	Metalized Mylar Capacitor
MG R	Metal Glazed Resistor	MP CAP.	Metalized Polystyrol Capacitor
MP R	Metal Plate Resistor	PP CAP.	Polypropylene Capacitor
OM R	Metal Oxide Film Resistor	PS CAP.	Polystyrol Capacitor
CMF R	Coating Metal Film Resistor	TF CAP.	Thin Film Capacitor
UNF R	Non-Flammable Resistor	MPP CAP.	Metalized Polypropylene Capacitor
CH V R	Chip Variable Resistor	TAN. CAP.	Tantalum Capacitor
CH MG R	Chip Metal Glazed Resistor	CH C CAP.	Chip Ceramic Capacitor
COMP. R	Composition Resistor	BP E CAP.	Bi-Polar Electrolytic Capacitor
LPTC R	Linear Positive Temperature Coefficient Resistor	CH AL E CAP.	Chip Aluminum Electrolytic Capacitor
		CH AL BP CAP.	Chip Aluminum Bi-Polar Capacitor
		CH TAN. E CAP.	Chip Tantalum Electrolytic Capacitor
		CH AL BP E CAP.	Chip Tantalum Bi-Polar Electrolytic Capacitor

TOLERANCES									
F	G	J	K	M	N	R	H	Z	P
±1%	±2%	±5%	±10%	±20%	±30%	+30% -10%	+50% -10%	+80% -20%	+100% -0%

CONTENTS

- USING PW BOARD & REMOTE CONTROL UNIT 32
- EXPLODED VIEW PARTS LIST 33, 34
- EXPLODED VIEW 33, 35
- PRINTED WIRING BOARD PARTS LIST

AV28S2EKGR / AV28S2EKBL

- MAIN PW BOARD ASS'Y 36
- POWER & DEF. PW BOARD ASS' Y 38
- CRT SOCKET PW BOARD ASS'Y 40
- FRONT CONTROL PW BOARD ASS'Y 41
- SIDE CONTROL PW BOARD ASS'Y 41
- AV SEL. PW BOARD ASS'Y 41

AV28S2EIGR / AV28S2EIBL

- MAIN PW BOARD ASS'Y 44
- POWER & DEF. PW BOARD ASS' Y 46
- CRT SOCKET PW BOARD ASS'Y 46
- FRONT CONTROL PW BOARD ASS'Y 46
- SIDE CONTROL PW BOARD ASS'Y 46
- AV SEL. PW BOARD ASS'Y 47

- REMOTE CONTROL UNIT PARTS LIST 49
- PACKING 50
- PACKING PARTS LIST 50

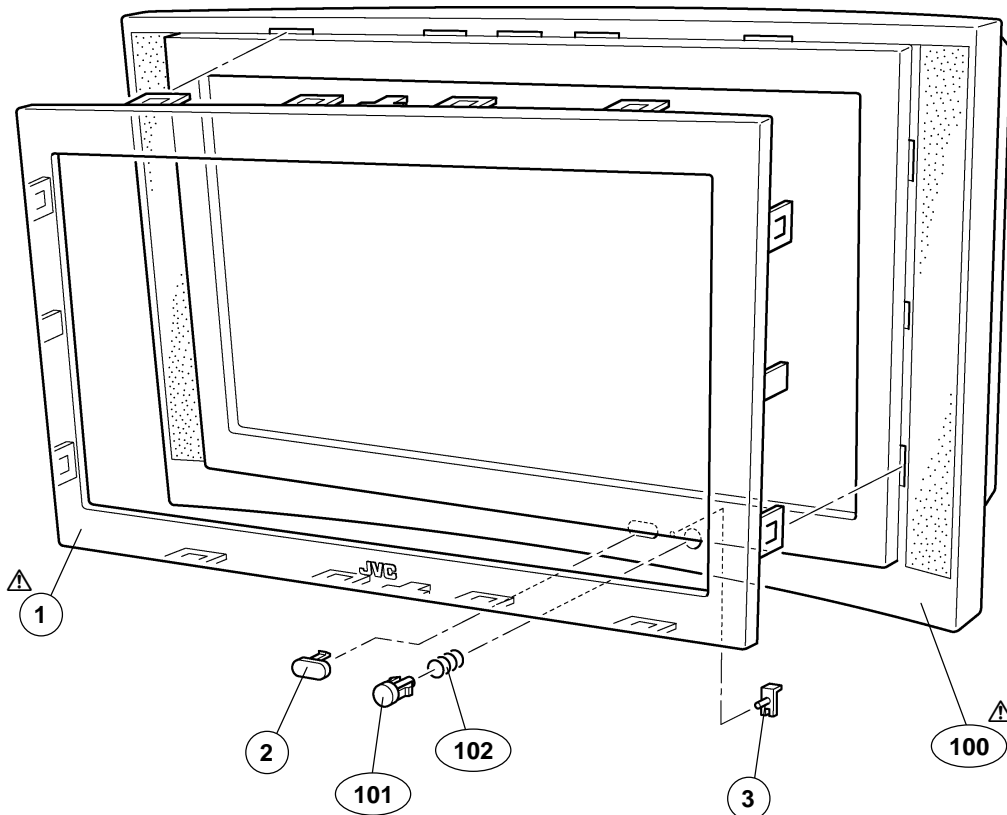
USING PW BOARD & REMOTE CONTROL UNIT

Model PWB ASS'Y	AV28S2EKGR	AV28S2EKBL	AV28S2EIGR	AV28S2EIBL
MAIN PWB	SJK-1911A-U2	←	SJK-1711A-U2	←
POWER & DEF. PWB	SJK-2511A-U2	←	←	←
CRT SOCKET PWB	SJK-3511A-U2	←	←	←
FRONT CONTROL PWB	SJK-8511A-U2	←	←	←
SIDE CONTROL PWB	SJK-8551A-U2	←	←	←
AV SEL. PWB	SJK0S911A-U2	←	SJK0S711A-U2	←
REMOTE CONTROL UNIT	RM-C55-1C	←	←	←

EXPORTED VIEW PARTS LIST (1)

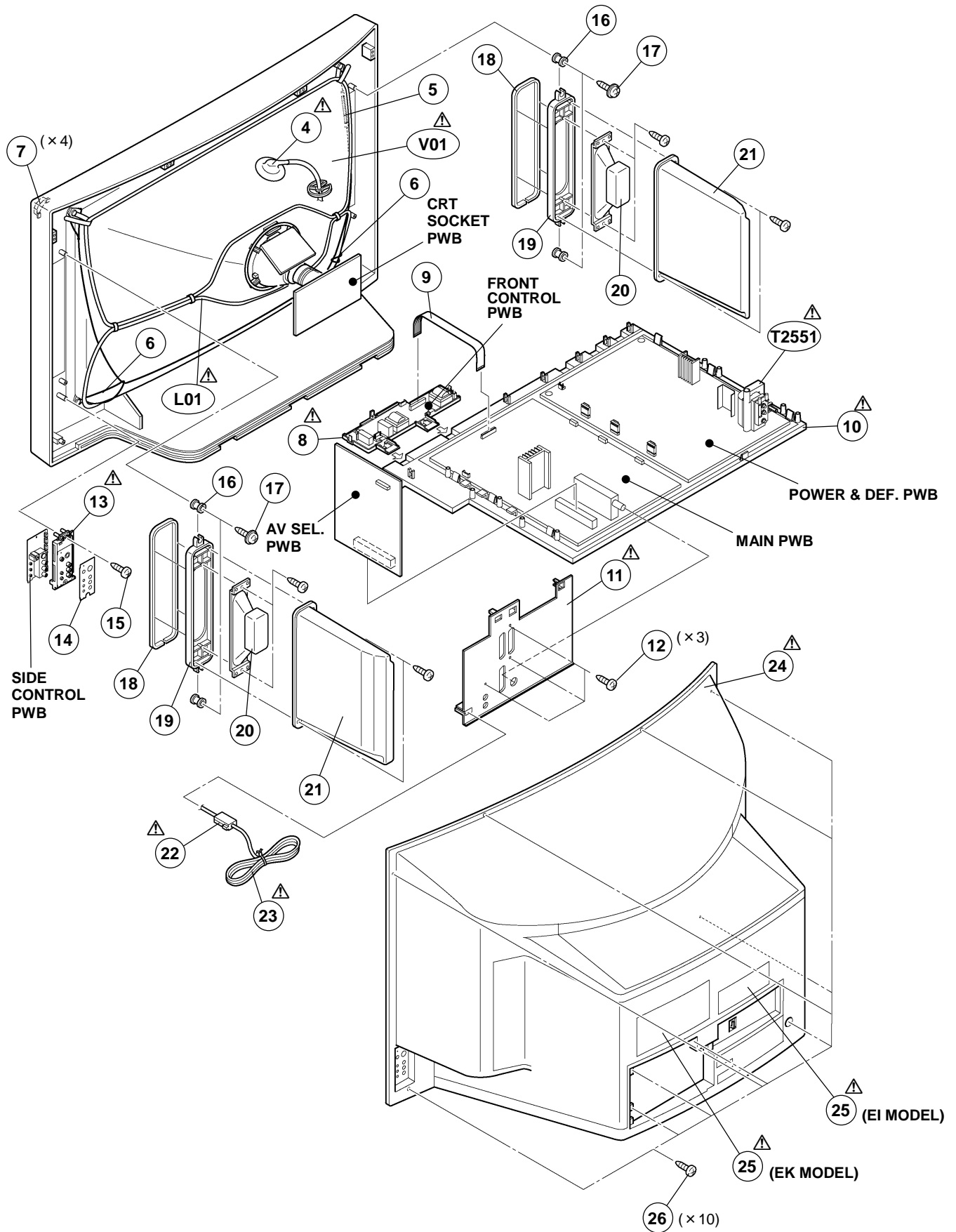
△ Ref.No.	Part No.	Part Name	Description
AV28S2EKGR / AV28S2EKBL			
△ 1	LC11007-001B-U	FRONT FRAME	[AV28S2EKGR]
△ 1	LC11007-002B-U	FRONT FRAME	[AV28S2EKBL]
2	LC31203-001A-C	REMOCON WINDOW	[AV28S2EKGR]
2	LC31203-001B-C	REMOCON WINDOW	[AV28S2EKBL]
3	LC31202-001A-C	L.E.D. LENS	
△ 100	LC11005-001A-U	F. CABINET ASSY	Inc.No.101~102
101	LC31201-002A-U	POWER KNOB	(SERVICE)
102	AEM3149-001-E	SPRING	
AV28S2EIGR / AV28S2EIBL			
△ 1	LC11007-001B-U	FRONT FRAME	[AV28S2EIGR]
△ 1	LC11007-002B-U	FRONT FRAME	[AV28S2EIBL]
2	LC31203-001A-C	REMOCON WINDOW	[AV28S2EIGR]
2	LC31203-001B-C	REMOCON WINDOW	[AV28S2EIBL]
3	LC31202-001A-C	L.E.D. LENS	
△ 100	LC11005-001A-U	F. CABINET ASSY	Inc.No.101~102
101	LC31201-002A-U	POWER KNOB	(SERVICE)
102	AEM3149-001-E	SPRING	

EXPLODED VIEW (1)



EXPLODED VIEW PARTS LIST (2)

△ Ref.No.	Part No.	Part Name	Description
AV28S2EKGR / AV28S2EKBL			
△ V01	W66QDE891X923	ITC TUBE(C)	Inc.DY,PC MAGNET,WEDGE
△ L01	QQW0100-001	DEG.COIL	
△ T2551	QQH0089-002-I2	H.V.TRANSF.	(SERVICE)With ANODE WIRE
△ 4	QNZ0369-003	ANODE WIRE	
△ 5	WJY0001-004A	E-BRAIDED ASSY	
△ 6	CHGB0017-0B	BRAIDED SUB ASSY	(×2)
△ 7	LC20725-001A-U	CRT SPACER	(×4)
△ 8	LC11009-001B-U	CONTROL BASE	
△ 9	CHFD125-08BD	FFC WIRE	
△ 10	LC10716-002F-U	CHASSIS BASE	
△ 11	LC11010-001A-U	AV BOARD	
△ 12	QYSBSB3012M	TAPPING SCREW	(×3)For AV BOARD
△ 13	LC10856-001B-U	SIDE CONTROL BASE	
△ 14	LC31205-002A-U	CONTROL SHEET	
△ 15	QYSBSB3012M	TAPPING SCREW	(×1)For SIDE CONTROL BASE
△ 16	AEM4087-001-E	BUSHING	(×4)
△ 17	LC40506-001A	TAPPING SCREW	(×4)
△ 18	AEM3029-A11-E	STICK SHEET	
△ 19	LC11017-001A-U	SPEAKER ADAPTER	(×2)
△ 20	QAS0072-001	SPEAKER	(×2)
△ 21	LC10858-001B-U	SPEAKER BOX	(×2)
△ 22	CM46618-A01-E	POWER CORD CLAMP	
△ 23	QMPN130-185-JC	POWER CORD	
△ 24	LC11011-001C-U	REAR COVER	
△ 25	LC20091-020A-U	RATING LABEL	[AV28S2EKGR]
△ 25	LC20091-025A-U	RATING LABEL	[AV28S2EKBL]
△ 26	QYSBSAG4016N	TAPPING SCREW	(×10) For REAR COVER
AV28S2EIGR / AV28S2EIBL			
△ V01	W66QDE891X923	ITC TUBE(C)	Inc.DY,PC MAGNET,WEDGE
△ L01	QQW0100-001	DEG.COIL	
△ T2551	QQH0089-002-I2	H.V.TRANSF.	(SERVICE)With ANODE WIRE
△ 4	QNZ0369-003	ANODE WIRE	
△ 5	WJY0001-004A	E-BRAIDED ASSY	
△ 6	CHGB0017-0B	BRAIDED SUB ASSY	(×2)
△ 7	LC20725-001A-U	CRT SPACER	(×4)
△ 8	LC11009-001B-U	CONTROL BASE	
△ 9	CHFD125-08BD	FFC WIRE	
△ 10	LC10716-002F-U	CHASSIS BASE	
△ 11	LC11010-001A-U	AV BOARD	
△ 12	QYSBSB3012M	TAPPING SCREW	(×3)For AV BOARD
△ 13	LC10856-001B-U	SIDE CONTROL BASE	
△ 14	LC31205-002A-U	CONTROL SHEET	
△ 15	QYSBSB3012M	TAPPING SCREW	(×1)For SIDE CONTROL BASE
△ 16	AEM4087-001-E	BUSHING	(×4)
△ 17	LC40506-001A	TAPPING SCREW	(×4)
△ 18	AEM3029-A11-E	STICK SHEET	
△ 19	LC11017-001A-U	SPEAKER ADAPTER	(×2)
△ 20	QAS0072-001	SPEAKER	(×2)
△ 21	LC10858-001B-U	SPEAKER BOX	(×2)
△ 22	CM46618-A01-E	POWER CORD CLAMP	
△ 23	QMPN130-185-JC	POWER CORD	
△ 24	LC11011-001C-U	REAR COVER	
△ 25	LC20091-039A-U	RATING LABEL	[AV28S2EIGR]
△ 25	LC20091-040A-U	RATING LABEL	[AV28S2EIBL]
△ 26	QYSBSAG4016N	TAPPING SCREW	(×10)For REAR COVER



AV28S2EKGR / AV28S2EKBL

PRINTED WIRING BOARD PARTS LIST

■ MAIN P.W. BOARD ASS'Y (SJK-1911A-U2)

Symbol No.	Part No.	Part Name	Description
------------	----------	-----------	-------------

RESISTOR

R1001	NRSA02J-102X	MG R	1kΩ 1/10W J
R1004-06	NRSA02J-102X	MG R	1kΩ 1/10W J
R1007	NRSA02J-104X	MG R	100kΩ 1/10W J
R1008	NRSA02J-0R0X	MG R	0.0Ω 1/10W J
R1301	NRSA02J-103X	MG R	10kΩ 1/10W J
R1302	NRSA02J-183X	MG R	18kΩ 1/10W J
R1303	NRSA02J-153X	MG R	15kΩ 1/10W J
R1304	QRG01GJ-121	OM R	120Ω 1W J
R1305	NRSA02J-562X	MG R	5.6kΩ 1/10W J
R1306	NRSA02J-222X	MG R	2.2kΩ 1/10W J
R1307	NRSA02J-102X	MG R	1kΩ 1/10W J
R1308	NRSA02J-471X	MG R	470Ω 1/10W J
R1309	NRSA02J-222X	MG R	2.2kΩ 1/10W J
R1310-11	NRSA02J-391X	MG R	390Ω 1/10W J
R1312-13	NRSA02J-101X	MG R	100Ω 1/10W J
R1314	NRSA02J-562X	MG R	5.6kΩ 1/10W J
R1316	NRSA02J-224X	MG R	220kΩ 1/10W J
R1317	NRSA02J-101X	MG R	100Ω 1/10W J
R1318-21	NRSA02J-102X	MG R	1kΩ 1/10W J
R1327	NRSA02J-0R0X	MG R	0.0Ω 1/10W J
R1328-29	NRSA02J-102X	MG R	1kΩ 1/10W J
R1330	NRSA02J-472X	MG R	4.7kΩ 1/10W J
R1331	NRSA02J-333X	MG R	33kΩ 1/10W J
R1332-33	NRSA02J-222X	MG R	2.2kΩ 1/10W J
R1335	NRSA02J-273X	MG R	27kΩ 1/10W J
R1336	NRSA02J-103X	MG R	10kΩ 1/10W J
R1337	NRSA02J-102X	MG R	1kΩ 1/10W J
R1338	NRSA02J-562X	MG R	5.6kΩ 1/10W J
R1339	NRSA02J-102X	MG R	1kΩ 1/10W J
R1340-41	NRSA02J-333X	MG R	33kΩ 1/10W J
R1342	NRSA02J-152X	MG R	1.5kΩ 1/10W J
R1343	NRSA02J-272X	MG R	2.7kΩ 1/10W J
R1344	NRSA02J-471X	MG R	470Ω 1/10W J
R1345	NRSA02J-102X	MG R	1kΩ 1/10W J
R1346	NRSA02J-223X	MG R	22kΩ 1/10W J
R1401-02	NRSA02J-103X	MG R	10kΩ 1/10W J
R1403	NRSA02J-102X	MG R	1kΩ 1/10W J
R1404	NRSA02J-183X	MG R	18kΩ 1/10W J
R1405	NRSA02J-223X	MG R	22kΩ 1/10W J
R1409	NRSA02J-0R0X	MG R	0.0Ω 1/10W J
R1411	NRVA02D-473X	MF R	47kΩ 1/10W D
R1413	NRVA02D-223X	MF R	22kΩ 1/10W D
R1414	NRVA02D-101X	MF R	100Ω 1/10W D
R1415	NRSA02J-562X	MG R	5.6kΩ 1/10W J
R1416	NRSA02J-101X	MG R	100Ω 1/10W J
R1417	NRSA02J-223X	MG R	22kΩ 1/10W J
R1418	NRSA02J-682X	MG R	6.8kΩ 1/10W J
R1419	NRSA02J-562X	MG R	5.6kΩ 1/10W J
R1420	NRSA02J-183X	MG R	18kΩ 1/10W J
R1501	NRSA02J-621X	MG R	620Ω 1/10W J
R1502	NRSA02J-103X	MG R	10kΩ 1/10W J
R1503	NRSA02J-104X	MG R	100kΩ 1/10W J
R1504	NRSA02J-822X	MG R	8.2kΩ 1/10W J
R1505-06	NRSA02J-221X	MG R	220Ω 1/10W J
R1507	NRSA02J-102X	MG R	1kΩ 1/10W J
R1508-09	NRSA02J-223X	MG R	22kΩ 1/10W J
R1511	NRSA02J-0R0X	MG R	0.0Ω 1/10W J
R1514	NRSA02J-472X	MG R	4.7kΩ 1/10W J
R1516	NRSA02J-222X	MG R	2.2kΩ 1/10W J
R1517	NRSA02J-472X	MG R	4.7kΩ 1/10W J
R1518	NRSA02J-682X	MG R	6.8kΩ 1/10W J
R1519	NRSA02J-562X	MG R	5.6kΩ 1/10W J
R1520	NRSA02J-152X	MG R	1.5kΩ 1/10W J
R1551	QRK126J-100X	C R	10Ω 1/2W J
R1552	NRSA02J-124X	MG R	120kΩ 1/10W J
R1553	NRSA02J-683X	MG R	68kΩ 1/10W J

Symbol No.	Part No.	Part Name	Description
------------	----------	-----------	-------------

RESISTOR

R1554	NRSA02J-333X	MG R	33kΩ 1/10W J
R1555	NRSA02J-472X	MG R	4.7kΩ 1/10W J
R1556	NRSA02J-154X	MG R	150kΩ 1/10W J
R1557-58	NRSA02J-562X	MG R	5.6kΩ 1/10W J
R1559	NRSA02J-0R0X	MG R	0.0Ω 1/10W J
R1560	NRSA02J-104X	MG R	100kΩ 1/10W J
R1561	QRK126J-100X	C R	10Ω 1/2W J
R1571	NRSA02J-101X	MG R	100Ω 1/10W J
R1572	NRSA02J-133X	MG R	13kΩ 1/10W J
R1573	NRSA02J-821X	MG R	820Ω 1/10W J
R1602	NRSA02J-104X	MG R	100kΩ 1/10W J
R1604	NRSA02J-393X	MG R	39kΩ 1/10W J
R1605	NRSA02J-681X	MG R	680Ω 1/10W J
R1606	NRSA02J-393X	MG R	39kΩ 1/10W J
R1607	NRSA02J-681X	MG R	680Ω 1/10W J
R1608-09	NRSA02J-183X	MG R	18kΩ 1/10W J
R1610-11	NRSA02J-822X	MG R	8.2kΩ 1/10W J
R1633	NRSA02J-273X	MG R	27kΩ 1/10W J
R1638	NRSA02J-473X	MG R	47kΩ 1/10W J
R1648	NRSA02J-104X	MG R	100kΩ 1/10W J
R1649	NRSA02J-682X	MG R	6.8kΩ 1/10W J
R1650	NRSA02J-104X	MG R	100kΩ 1/10W J
R1660	QRK126J-2R2X	C R	2.2Ω 1/2W J
R1661	NRSA02J-103X	MG R	10kΩ 1/10W J
R1663	NRSA02J-561X	MG R	560Ω 1/10W J
R1664	NRSA02J-562X	MG R	5.6kΩ 1/10W J
R1683	QRK126J-2R2X	C R	2.2Ω 1/2W J
R1689	NRSA02J-473X	MG R	47kΩ 1/10W J
R1690	QRG01GJ-270	OM R	27Ω 1W J
R1701	NRSA02J-221X	MG R	220Ω 1/10W J
R1702	NRSA02J-822X	MG R	8.2kΩ 1/10W J
R1703	NRSA02J-273X	MG R	27kΩ 1/10W J
R1704	NRSA02J-473X	MG R	47kΩ 1/10W J
R1705	NRSA02J-102X	MG R	1kΩ 1/10W J
R1706	NRSA02J-223X	MG R	22kΩ 1/10W J
R1707-12	NRSA02J-103X	MG R	10kΩ 1/10W J
R1713-14	NRSA02J-102X	MG R	1kΩ 1/10W J
R1716	NRSA02J-102X	MG R	1kΩ 1/10W J
R1717	NRSA02J-104X	MG R	100kΩ 1/10W J
R1718-19	NRSA02J-682X	MG R	6.8kΩ 1/10W J
R1720	NRSA02J-472X	MG R	4.7kΩ 1/10W J
R1721	NRSA02J-103X	MG R	10kΩ 1/10W J
R1722	NRSA02J-472X	MG R	4.7kΩ 1/10W J
R1723	NRSA02J-102X	MG R	1kΩ 1/10W J
R1724-28	NRSA02J-472X	MG R	4.7kΩ 1/10W J
R1729-31	NRSA02J-221X	MG R	220Ω 1/10W J
R1732	NRSA02J-562X	MG R	5.6kΩ 1/10W J
R1733	NRSA02J-103X	MG R	10kΩ 1/10W J
R1734	NRSA02J-223X	MG R	22kΩ 1/10W J
R1736-39	NRSA02J-103X	MG R	10kΩ 1/10W J
R1740	NRSA02J-331X	MG R	330Ω 1/10W J
R1741-42	NRSA02J-102X	MG R	1kΩ 1/10W J
R1745-47	NRSA02J-472X	MG R	4.7kΩ 1/10W J
R1748-52	NRSA02J-221X	MG R	220Ω 1/10W J
R1753	NRSA02J-102X	MG R	1kΩ 1/10W J
R1754	NRSA02J-683X	MG R	68kΩ 1/10W J
R1755	NRSA02J-102X	MG R	1kΩ 1/10W J
R1756	NRSA02J-103X	MG R	10kΩ 1/10W J
R1758	NRSA02J-103X	MG R	10kΩ 1/10W J
R1759	NRSA02J-472X	MG R	4.7kΩ 1/10W J
R1760	NRSA02J-103X	MG R	10kΩ 1/10W J
R1762-63	NRSA02J-103X	MG R	10kΩ 1/10W J
R1764-66	NRSA02J-221X	MG R	220Ω 1/10W J
R1767	NRSA02J-103X	MG R	10kΩ 1/10W J
R1770	NRSA02J-272X	MG R	2.7kΩ 1/10W J
R1771-73	NRSA02J-222X	MG R	2.2kΩ 1/10W J

△ Symbol No. Part No. Part Name Description

RESISTOR

R1774-75	NRSA02J-333X	MG R	33kΩ 1/10W J
R1777-79	NRSA02J-222X	MG R	2.2kΩ 1/10W J
R1780	NRSA02J-102X	MG R	1kΩ 1/10W J
R1784-85	NRSA02J-223X	MG R	22kΩ 1/10W J
R1786	NRSA02J-473X	MG R	47kΩ 1/10W J
R1787	NRSA02J-332X	MG R	3.3kΩ 1/10W J
R1788	NRSA02J-272X	MG R	2.7kΩ 1/10W J
R1789	NRSA02J-473X	MG R	47kΩ 1/10W J
R1790	NRSA02J-682X	MG R	6.8kΩ 1/10W J
R1801	NRSA02J-333X	MG R	33kΩ 1/10W J
R1802	NRSA02J-222X	MG R	2.2kΩ 1/10W J
R1804	NRSA02J-473X	MG R	47kΩ 1/10W J
R1805	NRSA02J-332X	MG R	3.3kΩ 1/10W J
R1806	NRSA02J-184X	MG R	180kΩ 1/10W J
R1834	NRSA02J-473X	MG R	47kΩ 1/10W J
R1835	NRSA02J-152X	MG R	1.5kΩ 1/10W J
R1837	NRSA02J-102X	MG R	1kΩ 1/10W J
R1838	NRSA02J-393X	MG R	39kΩ 1/10W J
R1839	NRSA02J-332X	MG R	3.3kΩ 1/10W J
R1840	NRSA02J-152X	MG R	1.5kΩ 1/10W J
R1841	NRSA02J-331X	MG R	330Ω 1/10W J
R1842	NRSA02J-222X	MG R	2.2kΩ 1/10W J
R1843	NRSA02J-332X	MG R	3.3kΩ 1/10W J
R1844	NRSA02J-392X	MG R	3.9kΩ 1/10W J
R1845	NRSA02J-272X	MG R	2.7kΩ 1/10W J
R1846	NRSA02J-103X	MG R	10kΩ 1/10W J
R1847-48	NRSA02J-472X	MG R	4.7kΩ 1/10W J
R1849	NRSA02J-823X	MG R	82kΩ 1/10W J
R1850-56	NRSA02J-102X	MG R	1kΩ 1/10W J
R1857	NRSA02J-472X	MG R	4.7kΩ 1/10W J
R1858	NRSA02J-223X	MG R	22kΩ 1/10W J
R1859	NRSA02J-823X	MG R	82kΩ 1/10W J
R1871	NRSA02J-102X	MG R	1kΩ 1/10W J
R1872-73	NRSA02J-222X	MG R	2.2kΩ 1/10W J
R1874	NRSA02J-272X	MG R	2.7kΩ 1/10W J
R1875	NRSA02J-104X	MG R	100kΩ 1/10W J
R1876	NRSA02J-102X	MG R	1kΩ 1/10W J
R1877	NRSA02J-393X	MG R	39kΩ 1/10W J
R1878-80	NRSA02J-152X	MG R	1.5kΩ 1/10W J
R1881-82	NRSA02J-331X	MG R	330Ω 1/10W J
R1883	NRSA02J-102X	MG R	1kΩ 1/10W J
R1884	NRSA02J-331X	MG R	330Ω 1/10W J

CAPACITOR

C1001	NCB21HK-222X	C CAP.	2200pF 50V K
C1003	NCB21EK-104X	C CAP.	0.1μF 25V K
C1004	QETN1CM-108Z	E CAP.	1000μF 16V M
C1005	QETN1CM-107Z	E CAP.	100μF 16V M
C1006	QETN1HM-106Z	E CAP.	10μF 50V M
C1007	NCB21EK-104X	C CAP.	0.1μF 25V K
C1008	QETN1HM-106Z	E CAP.	10μF 50V M
C1009	NCB21EK-104X	C CAP.	0.1μF 25V K
C1010	QETN1CM-107Z	E CAP.	100μF 16V M
C1301	NCB21EK-104X	C CAP.	0.1μF 25V K
C1302	NCB21HK-823X	CHIP CAP.	0.082μF 50V K
C1303	QETN1EM-476Z	E CAP.	47μF 25V M
C1304	NCB21HK-103X	C CAP.	0.01μF 50V K
C1305	QETN1CM-107Z	E CAP.	100μF 16V M
C1306	NCB21HK-103X	C CAP.	0.01μF 50V K
C1307	QETN1CM-477Z	E CAP.	470μF 16V M
C1308	NDC21HJ-120X	C CAP.	12pF 50V J
C1309	QETN1HM-475Z	E CAP.	4.7μF 50V M
C1310	NCB21HK-103X	C CAP.	0.01μF 50V K
C1311	QETN1HM-106Z	E CAP.	10μF 50V M
C1312	NDC21HJ-680X	C CAP.	68pF 50V J
C1313	QETN1CM-107Z	E CAP.	100μF 16V M
C1314	NCB21HK-103X	C CAP.	0.01μF 50V K
C1315	QETN1HM-106Z	E CAP.	10μF 50V M
C1319	QETN1CM-107Z	E CAP.	100μF 16V M
C1320	NCB21HK-103X	C CAP.	0.01μF 50V K
C1321-23	NCB21EK-104X	C CAP.	0.1μF 25V K

△ Symbol No. Part No. Part Name Description

CAPACITOR

C1324-26	QETN1HM-105Z	E CAP.	1μF 50V M
C1327	QETN1HM-475Z	E CAP.	4.7μF 50V M
C1328	QETN1CM-107Z	E CAP.	100μF 16V M
C1329	QETN1EM-476Z	E CAP.	47μF 25V M
C1331	QETN1HM-105Z	E CAP.	1μF 50V M
C1332	NCB21HK-103X	C CAP.	0.01μF 50V K
C1333	NCB21EK-104X	C CAP.	0.1μF 25V K
C1401	QETN1HM-105Z	E CAP.	1μF 50V M
C1403-05	NCB21HK-103X	C CAP.	0.01μF 50V K
C1406	QFV71HJ-184Z	MF CAP.	0.18μF 50V J
C1407	QFV71HJ-824Z	MF CAP.	0.82μF 50V J
C1408	NCB21HK-153X	C CAP.	0.015μF 50V K
C1501	QETN1CM-107Z	E CAP.	100μF 16V M
C1502-04	NCB21HK-103X	C CAP.	0.01μF 50V K
C1505	NCB21HK-332X	C CAP.	3300pF 50V K
C1506	QETN1HM-335Z	E CAP.	3.3μF 50V M
C1507	NCB21HK-103X	C CAP.	0.01μF 50V K
C1508	QETN1CM-108Z	E CAP.	1000μF 16V M
C1509	NCB21HK-823X	CHIP CAP.	0.082μF 50V K
C1510-11	NCB21HK-103X	C CAP.	0.01μF 50V K
C1512	QTMN1HM-105Z	E CAP.	0.1μF 50V K
C1513	QETN1CM-228Z	E CAP.	2200μF 16V M
C1514	NCB21HK-103X	C CAP.	0.01μF 50V K
C1515	QFV71HJ-394Z	MF CAP.	0.39μF 50V J
C1516	NCB21HK-103X	C CAP.	0.01μF 50V K
C1551-52	NCB21EK-224X	CHIP CAP.	0.22μF 25V K
C1553	QETN1EM-476Z	E CAP.	47μF 25V M
C1554-55	NCB21EK-224X	CHIP CAP.	0.22μF 25V K
C1571	NCB21HK-103X	C CAP.	0.01μF 50V K
C1601-02	NCB21HK-103X	C CAP.	0.01μF 50V K
C1603-04	NCF21CZ-105X	C CAP.	1μF 16V Z
C1606	NRSA02J-OR0X	MG R	0.0Ω 1/10W J
C1622-23	QETN1CM-227Z	E CAP.	220μF 16V M
C1625	QETN1HM-105Z	E CAP.	1μF 50V M
C1635	QETN1HM-105Z	E CAP.	1μF 50V M
C1636	QETN1HM-107Z	E CAP.	100μF 50V M
C1637	QETN1HM-106Z	E CAP.	10μF 50V M
C1638-39	NCF21HZ-224X	C CAP.	0.22μF 50V Z
C1653	NCF21HZ-224X	C CAP.	0.22μF 50V Z
C1655	NCF21HZ-224X	C CAP.	0.22μF 50V Z
C1656	QETN1HM-228	E CAP.	2200μF 50V M
C1661-62	QETN1VM-108	E CAP.	1000μF 35V M
C1668	NCB21EK-104X	C CAP.	0.1μF 25V K
C1671	QETN1CM-107Z	E CAP.	100μF 16V M
C1672	NCB21EK-104X	C CAP.	0.1μF 25V K
C1701	NCF21CZ-105X	C CAP.	1μF 16V Z
C1703	QETN1EM-476Z	E CAP.	47μF 25V M
C1704	NCB21EK-104X	C CAP.	0.1μF 25V K
C1705	QETN1AM-107Z	E CAP.	100μF 10V M
C1706	NCB21EK-104X	C CAP.	0.1μF 25V K
C1707	QETN1HM-474Z	E CAP.	0.47μF 50V M
C1708	QETN1EM-476Z	E CAP.	47μF 25V M
C1709-10	NDC21HJ-9R0X	C CAP.	9.0pF 50V J
C1711	NCB21EK-104X	C CAP.	0.1μF 25V K
C1712	NDC21HJ-151X	C CAP.	150pF 50V J
C1713	QETN1HM-105Z	E CAP.	1μF 50V M
C1714	NDC21HJ-561X	C CAP.	560pF 50V J
C1716-17	QETN1HM-105Z	E CAP.	1μF 50V M
C1718	NCB21HK-333X	C CAP.	0.033μF 50V K
C1725	NCB21HK-102X	C CAP.	1000pF 50V K
C1831	QENC1CM-476Z	BP E CAP.	47μF 16V M
C1832	QETN1EM-476Z	E CAP.	47μF 25V M
C1833	NDC21HJ-221X	C CAP.	220pF 50V J
C1834	NCB21EK-104X	C CAP.	0.1μF 25V K
C1835	NDC21HJ-220X	C CAP.	22pF 50V J
C1836-38	NCB21EK-104X	C CAP.	0.1μF 25V K
C1839	QETN1HM-106Z	E CAP.	10μF 50V M
C1871	NCB21EK-104X	C CAP.	0.1μF 25V K
C1872	NCB21HK-223X	C CAP.	0.022μF 50V K
C1873	NDC21HJ-221X	C CAP.	220pF 50V J
C1874-75	NDC21HJ-150X	C CAP.	15pF 50V J
C1876	NCB21HK-102X	C CAP.	1000pF 50V K

△ Symbol No.	Part No.	Part Name	Description
CAPACITOR			
C1877	NCB21EK-104X	C CAP.	0.1μF 25V K
C1878	NCB21HK-102X	C CAP.	1000pF 50V K
C1879	NDC21HJ-221X	C CAP.	220pF 50V J
C1880	QETN1AM-477Z	E CAP.	470μF 10V M
C1881	NCB21EK-104X	C CAP.	0.1μF 25V K
C1882	QETN1EM-476Z	E CAP.	47μF 25V M
C1883	NCB21HK-103X	C CAP.	0.01μF 50V K
C1884-85	NCB21EK-104X	C CAP.	0.1μF 25V K
C1886	NCB21HK-103X	C CAP.	0.01μF 50V K
C1887-89	QETN1HM-106Z	E CAP.	10μF 50V M
COIL			
L1001	QQL244K-5R6Z	COIL	5.6μH K
L1002	QQL244K-270Z	PEAKING COIL	
L1301-02	QQL244K-4R7Z	COIL	4.7μH K
L1305	QQL244K-4R7Z	COIL	4.7μH K
L1501	QQL244J-151Z	PEAKING COIL	
L1701	QQL244K-4R7Z	COIL	4.7μH K
L1702	QQL244K-3R9Z	COIL	3.9μH K
L1871	QQL244K-4R7Z	COIL	4.7μH K
DIODE			
D1301	MA3051/M/-X	ZENER DIODE	
D1302-04	MA111-X	SI DIODE	
D1503	RB100A-T2	SI DIODE	
D1602	MA111-X	SI DIODE	
D1608-10	MA111-X	SI DIODE	
D1612-13	MA111-X	SI DIODE	
D1617-18	MA3330/L/-X	ZENER DIODE	
D1624-25	MA111-X	SI DIODE	
D1701	MA3068/M/-X	ZENER DIODE	
D1702	MA111-X	SI DIODE	
D1704	MA111-X	SI DIODE	
D1705	MA3036-X	ZENER DIODE	
D1706-08	MA111-X	SI DIODE	
D1710	MA111-X	SI DIODE	
D1831	MA3051/M/-X	ZENER DIODE	
TRANSISTOR			
Q1301-02	2SA1037AK/QR/-X	SI TRANSISTOR	
Q1309	2SC2412K/QR/-X	SI TRANSISTOR	
Q1310	2SA1037AK/QR/-X	SI TRANSISTOR	
Q1311	DTC124EKA-X	DIGI TRANSISTOR	
Q1312	2SA1037AK/QR/-X	SI TRANSISTOR	
Q1401	DTC124EKA-X	DIGI TRANSISTOR	
Q1402	2SC2412K/QR/-X	SI TRANSISTOR	
Q1601	2SA1037AK/QR/-X	SI TRANSISTOR	
Q1602-03	DTC323TK-X	DIGI TRANSISTOR	
Q1604	2SA1037AK/QR/-X	SI TRANSISTOR	
Q1609	2SA1037AK/QR/-X	SI TRANSISTOR	
Q1610	DTC323TK-X	DIGI TRANSISTOR	
Q1612	DTC323TK-X	DIGI TRANSISTOR	
Q1613	2SA1037AK/QR/-X	SI TRANSISTOR	
Q1614	2SC2412K/QR/-X	SI TRANSISTOR	
Q1701-04	2SC2412K/QR/-X	SI TRANSISTOR	
Q1705-06	2SA1037AK/QR/-X	SI TRANSISTOR	
Q1707	2SC2412K/QR/-X	SI TRANSISTOR	
Q1708	2SA1037AK/QR/-X	SI TRANSISTOR	
Q1709-10	2SC2412K/QR/-X	SI TRANSISTOR	
Q1832-33	2SC2412K/QR/-X	SI TRANSISTOR	
Q1834	2SA1037AK/QR/-X	SI TRANSISTOR	
Q1835-37	2SC2412K/QR/-X	SI TRANSISTOR	
Q1871	2SA1037AK/QR/-X	SI TRANSISTOR	
Q1872	2SC2412K/QR/-X	SI TRANSISTOR	
IC			
IC1301	TB1227CN	I C	
IC1302	TC4053BP/N/	I.C. (DIGI-MOS)	
IC1501	AN54415A-W	I C	
IC1551	LA6515	I.C. (MONO-ANA)	
IC1601	TA8246AH	I.C. (HYBRID)	
IC1607	BA05T	I.C. (MONO-ANA)	
IC1701	M37280MK-106SP	I.C. (MICRO-COMP)	
IC1702	AT24C16-32WFT1	I.C.	(SERVICE)

△ Symbol No.	Part No.	Part Name	Description
IC			
IC1703	L78LR05E-MA	I.C. (MONO-ANA)	
IC1704	JLC1562BF-X	I.C. (DIGI-MOS)	
IC1831	JCC5035	I.C. (DIGI-MOS)	
IC1832	MN1382/Q/-X	I.C. (MONO-ANA)	
IC1871	ET417	I.C. (M)	
IC1872	ET206	I.C. (M)	
OTHERS			
CN1001	QGF1220C2-25	FFC/FPC CONNECTO	
J1001	QNN0296-001	PIN JACK	
K1001	CE41433-001Z	BEADS CORE	
K1004	CE41433-001Z	BEADS CORE	
K1307	CE41433-001Z	BEADS CORE	
K1601-02	CE42681-001Y	BEADS CORE	
K1872	QQL244K-3R3Z	COIL	3.3μH K
LC1301	CE42142-222Z	EMI FILTER	
TU1001	QAU0189-002	TUNER	
X1301	QAX0305-001Z	CRYSTAL	
X1701	CST8.00MTW	CER. RESONATOR	
X1831	QAX0624-001Z	C RESONATOR	
X1871	CE41257-001Z	CRYSTAL	
■ POWER & DEF. P.W. BOARD ASS'Y (SJK-2511A-U2)			
△ Symbol No.	Part No.	Part Name	Description
RESISTOR			
R2401	QRE141J-682Y	C R	6.8kΩ 1/4W J
△ R2402	QRA14CF-6801Y	MF R	6.8kΩ 1/4W F
△ R2403	QRA14CF-3091Y	MF R	3.09kΩ 1/4W F
R2404-05	QRA14CF-8200Y	MF R	820Ω 1/4W F
R2406	QRE141J-103Y	C R	10kΩ 1/4W J
R2409	QRE141J-103Y	C R	10kΩ 1/4W J
R2410	QRE141J-102Y	C R	1kΩ 1/4W J
R2414	QRE121J-100Y	C R	10Ω 1/2W J
R2415	QRX01GJ-1R8	MF R	1.8Ω 1W J
R2416	QRG01GJ-820	OM R	82Ω 1W J
R2417	QRE121J-1R0Y	C R	1.0Ω 1/2W J
R2461	QRE141J-331Y	C R	330Ω 1/4W J
R2463	QRE121J-392Y	C R	3.9kΩ 1/2W J
R2464	QRE121J-562Y	C R	5.6kΩ 1/2W J
R2465	QRE121J-682Y	C R	6.8kΩ 1/2W J
R2466	QRE121J-102Y	C R	1kΩ 1/2W J
R2467	QRL039J-330	OM R	33Ω 3W J
R2492	QRE141J-683Y	C R	68kΩ 1/4W J
R2493	QRE141J-224Y	C R	220kΩ 1/4W J
R2495	QRE141J-103Y	C R	10kΩ 1/4W J
R2496	QRE141J-183Y	C R	18kΩ 1/4W J
R2497	QRE141J-153Y	C R	15kΩ 1/4W J
R2502	QRE141J-222Y	C R	2.2kΩ 1/4W J
R2503	QRE121J-152Y	C R	1.5kΩ 1/2W J
R2504	QRL039J-272	OM R	2.7kΩ 3W J
R2505	QRL039J-332	OM R	3.3kΩ 3W J
R2521	QRE121J-150Y	C R	15Ω 1/2W J
R2522	QRL039J-103	OM R	10kΩ 3W J
R2523	QRE121J-471Y	C R	470Ω 1/2W J
R2525	QRE141J-152Y	C R	1.5kΩ 1/4W J
R2541	QRE121J-103Y	C R	10kΩ 1/2W J
R2542	QRE121J-222Y	C R	2.2kΩ 1/2W J
R2543	QRE121J-124Y	C R	120kΩ 1/2W J
R2544	QRE121J-104Y	C R	100kΩ 1/2W J
R2545	QRE141J-123Y	C R	12kΩ 1/4W J
R2546	QRE121J-104Y	C R	100kΩ 1/2W J
R2547	QRE141J-123Y	C R	12kΩ 1/4W J
R2548	QRE121J-222Y	C R	2.2kΩ 1/2W J
R2551-52	QRT039J-1R5	MF R	1.5Ω 3W J
R2553	QRF104K-5R6	UNF R	5.6Ω 10W K
R2561	QRL029J-220	OM R	22Ω 2W J

△ Symbol No.	Part No.	Part Name	Description
RESISTOR			
R2562	QRE121J-123Y	C R	12kΩ 1/2W J
R2563	QRZ0056-103Z	COMP. R	10kΩ 1/2W K
R2591	QRE121J-123Y	C R	12kΩ 1/2W J
R2592	QRA14CF-1201Y	MF R	1.2kΩ 1/4W F
R2593	QRE141J-183Y	C R	18kΩ 1/4W J
R2594	QRE141J-222Y	C R	2.2kΩ 1/4W J
△ R2595	QRA14CF-1692Y	MF R	16.9kΩ 1/4W F
△ R2596	QRA14CF-2401Y	MF R	2.4kΩ 1/4W F
R2597	QRE141J-273Y	C R	27kΩ 1/4W J
△ R2902	QRE121J-331Y	C R	330Ω 1/2W J
R2903	QRF104K-3R9	UNF R	3.9kΩ 10W K
R2904-05	QRE121J-474Y	C R	470kΩ 1/2W J
R2907-08	QRL039J-823	OM R	82kΩ 3W J
R2909	QRG039J-683	OM R	68kΩ 3W J
R2910	QRE121J-681Y	C R	680Ω 1/2W J
R2911	QRM059J-R15	MP R	0.15 Ω 5W J
R2912	QRT029J-2R2	MF R	2.2Ω 2W J
R2914	QRE121J-272Y	C R	2.7kΩ 1/2W J
R2918	QRE121J-332Y	C R	3.3kΩ 1/2W J
R2933	QRE141J-102Y	C R	1kΩ 1/4W J
R2935	QRE141J-473Y	C R	47kΩ 1/4W J
R2936	QRE141J-103Y	C R	10kΩ 1/4W J
R2938	QRE121J-102Y	C R	1kΩ 1/2W J
R2940	QRE121J-390Y	C R	39Ω 1/2W J
R2964	QRE121J-102Y	C R	1kΩ 1/2W J
R2967	QRL039J-223	OM R	22kΩ 3W J
R2976	QRL029J-100	OM R	10Ω 2W J
△ R2991	QRZ0057-825	C R	8.2MΩ 1W J

CAPACITOR			
C2401	QEHR1VM-227Z	E CAP.	220μF 35V M
C2402	QETM1VM-108	E CAP.	1000μF 35V M
C2403	QFLC2AJ-683Z	M CAP.	0.068μF 100V J
C2404	QETN1HM-105Z	E CAP.	1μF 50V M
C2405	QFLC1HJ-472Z	M CAP.	4700pF 50V J
C2406	QCZ0337-180Z	C CAP.	18pF 2kV J
C2407	QFLC1HJ-102Z	M CAP.	1000pF 50V J
C2408	QFV71HJ-334Z	MF CAP.	0.33μF 50V J
C2410	QFV71HJ-334Z	MF CAP.	0.33μF 50V J
C2411	QFLC2AJ-563Z	M CAP.	0.056μF 100V J
C2451	QFV71HJ-104Z	MF CAP.	0.1μF 50V J
C2461	QEZO195-475Z	E CAP.	4.7μF 50V M
C2462	QETN1HM-106Z	E CAP.	10μF 50V M
C2463	QFLC1HJ-153Z	M CAP.	0.015μF 50V J
C2464	QFLC1HJ-333Z	M CAP.	0.033μF 50V J
C2491	QETN1HM-105Z	E CAP.	1μF 50V M
C2492	QETN1HM-106Z	E CAP.	10μF 50V M
C2502	QCB32HK-681Z	C CAP.	680pF 500V K
C2503	QEHR2CM-105Z	E CAP.	1μF 160V M
△ C2521	QFZ0200-282	MPP CAP.	2800pF 1.5kVH ±3%
△ C2522	QFZ0200-113	MPP CAP.	0.011μF 1.5kVH ±3%
△ C2523	QFP32GJ-183	PP CAP.	0.018μF 400V J
C2524	QFM72DK-563	M CAP.	0.056μF 200V K
C2526	QFZ0197-304	MPP CAP.	0.3μF 250V J
C2527	QEHR2EM-475Z	E CAP.	4.7μF 250V M
C2529	QFZ0197-473	MPP CAP.	0.047μF 250V J
C2530	QCB32HK-561Z	C CAP.	560pF 500V K
C2531	QFLC1HJ-103Z	M CAP.	0.01μF 50V J
C2533	QCS32HJ-560Z	C CAP.	56pF 500V J
C2542	QFZ0197-204	MPP CAP.	0.2μF 250V J
C2543	QFZ0197-184	MPP CAP.	0.18μF 250V J
C2551	QETN2EM-106Z	E CAP.	10μF 250V M
C2552	QCB32HK-152Z	C CAP.	1500pF 500V K
C2553	QEHR1EM-108Z	E CAP.	1000μF 25V M
C2554	QCB32HK-152Z	C CAP.	1500pF 500V K
C2555	QEHR1EM-108Z	E CAP.	1000μF 25V M
C2560	QETM2CM-227	E CAP.	220μF 160V M
C2561	QFV71HJ-184Z	MF CAP.	0.18μF 50V J
C2591	QETN1AM-107Z	E CAP.	100μF 10V M
C2592	QETN1EM-476Z	E CAP.	47μF 25V M
C2593	QETN2AM-106Z	E CAP.	10μF 100V M

△ Symbol No.	Part No.	Part Name	Description
CAPACITOR			
C2594	QETN1AM-227Z	E CAP.	220μF 10V M
△ C2901	QFZ9040-473	MF CAP.	0.047μF FAC275V M
△ C2904	QCZ9054-472	C CAP.	4700pF FAC250V Z
△ C2905	QCZ9054-472	C CAP.	4700pF FAC250V Z
△ C2906	QCZ9054-472	C CAP.	4700pF FAC250V M
C2907	QEZO199-227	E CAP.	220μF 400V M
C2908	QCB32HK-103	C CAP.	0.01μF 500V K
C2909	QCZ0122-391	C CAP.	390pF 2000V K
C2910	QCZ0122-102	C CAP.	1000pF 2000V K
C2912	QCB31HK-471Z	C CAP.	470pF 50V K
C2913	QETN1HM-476Z	E CAP.	47μF 50V M
C2916	QETN1HM-107Z	E CAP.	100μF 50V M
C2918	QCB31HK-681Z	C CAP.	680pF 50V K
C2933-34	QETN1HM-106Z	E CAP.	10μF 50V M
C2935	QETN1EM-227Z	E CAP.	220μF 25V M
C2951	QCZ0122-561	C CAP.	560pF 2000V K
C2952	QEZO203-227	E CAP.	220μF 160V M
C2953	QCB32HK-391Z	C CAP.	390pF 500V K
C2954	QTM1EM-228	E CAP.	2200μF 25V M
C2955	QCB32HK-391Z	C CAP.	390pF 500V K
C2956	QTM1CM-228	E CAP.	2200μF 16V M
C2958	QCB32HK-391Z	C CAP.	390pF 500V K
C2959	QETM1VM-228	E CAP.	2200μF 35V M
C2964	QFV71HJ-684Z	MF CAP.	0.68μF 50V J
C2968	QCZ0120-104Z	C CAP.	0.1μF 25V Z
C2969	QEHR1CM-477Z	E CAP.	470μF 16V M
C2970	QEHR1CM-107Z	E CAP.	100μF 16V M
C2971	QCZ0120-104Z	C CAP.	0.1μF 25V Z
C2972	QETN1CM-227Z	E CAP.	220μF 16V M
C2973	QETN1EM-476Z	E CAP.	47μF 25V M
C2974	QCZ0120-104Z	C CAP.	0.1μF 25V Z
C2975	QETN1AM-227Z	E CAP.	220μF 10V M
C2976	QETN1EM-476Z	E CAP.	47μF 25V M
C2979	QFV71HJ-104Z	MF CAP.	0.1μF 50V J
△ C2991	QCZ9079-33Z	C CAP.	3300pF FAC250V M
△ C2992	QCZ9079-471	C CAP.	470pF FAC250V M

TRANSFORMER		
T2501	CE42034-002	H.DRIVE TRANSF.
△ T2551	QHQ0089-002-12	H.V. TRANSF. (SERVICE) Within ANODE WIRE
T2561	QQR0898-001	DEF. TRANSF.
△ T2901	QQS0065-001	SW TRANSF.
△ T2921	QQT0303-001	POWER TRANSF.

COIL		
L2461	QQLZ027-821	CHOKE COIL
L2521	QQLZ028-501	CHOKE COIL
L2522	QQR1106-001	LINEARITY COIL
L2561	QQLZ028-272	CHOKE COIL
L2901-02	QQL402K-100	COIL 10μH K
△ L2903	QQR0659-004	CHOKE COIL
L2951	QQLZ026-460	HEATER CHOKE
L2952	QQLZ6AK-820Z	COIL 82μH K
L2953-54	QQLZ6AM-5R6Z	CHOKE COIL

DIODE		
D2401	MTZJ75-T2	ZENER DIODE
D2402	1N4003-T2	SI. DIODE
D2451	BYD33D-T3	SI. DIODE
D2491	BYD33D-T3	SI. DIODE
D2492	MTZJ22B-T2	ZENER DIODE
D2493-94	1S5133-T2	SI. DIODE
D2521	RH3G-F1	SI. DIODE
D2522	BYW95B-20	SI. DIODE
D2523	BYD33G-T3	SI. DIODE
D2525	MTZJ9.1B-T2	ZENER DIODE
D2551	BYD33G-T3	SI. DIODE
D2553-54	BYW95B-20	SI. DIODE
D2591	MTZJ15B-T2	ZENER DIODE
D2592	MTZJ7.5B-T2	ZENER DIODE
D2593	BYD33D-T3	SI. DIODE
D2594	MTZJ7.5S-T2	ZENER DIODE

Symbol No.	Part No.	Part Name	Description
DIODE			
△ D2901	D35BA60	DIODE BRIDGE	
D2902	BYD33M-T3	SI. DIODE	
D2904-05	BYD33D-T3	SI. DIODE	
D2909	1SS133-T2	SI. DIODE	
D2911	MTZJ15B-T2	ZENER DIODE	
D2913	MTZJ27B-T2	ZENER DIODE	
D2931	1SS133-T2	SI. DIODE	
D2934	MTZJ6.2B-T2	ZENER DIODE	
D2935-38	1N4003-T2	SI. DIODE	
D2939	1SS133-T2	SI. DIODE	
D2951	RU4B-F1	SI. DIODE	
D2953-54	BYW95B-20	SI. DIODE	
D2955	FMX-G12S	SI. DIODE	
D2958	1SR35-400A-T2	SI. DIODE	
D2963	MTZJ3.9B-T2	ZENER DIODE	
D2964	MTZJ33B-T2	ZENER DIODE	
D2981-83	1SS133-T2	SI. DIODE	
D2985	MTZJ7.5C-T2	ZENER DIODE	

Symbol No.	Part No.	Part Name	Description
TRANSISTOR			
Q2402	2SC1740S/QR/-T	SI. TRANSISTOR	
Q2461	2SD1408/OY/-LB	SI. TRANSISTOR	
Q2462-63	2SA933AS/QR/-T	SI. TRANSISTOR	
Q2501	BSN304-T	F. E. T.	
△ Q2521	2SD2553-LB	SI. TRANSISTOR	H. OUT
Q2541-42	DTC124ESA-T	DIGI. TRANSISTOR	
Q2543	IRF620	F. E. T.	
Q2544-45	2SK2459N-F54	F. E. T.	
Q2546	DTC124ESA-T	DIGI. TRANSISTOR	
Q2591	2SA949/Y/Z1-T	SI. TRANSISTOR	
Q2592	DTC124ESA-T	DIGI. TRANSISTOR	
Q2593	2SC1740S/QR/-T	SI. TRANSISTOR	
Q2931-32	2SC1740S/QR/-T	SI. TRANSISTOR	
Q2933	2SC2655/Y/-T	SI. TRANSISTOR	

Symbol No.	Part No.	Part Name	Description
IC			
△ IC2401	LA7841	I. C. (MONO-ANA)	
IC2901	STR-F6667B/F7	I. C.	
IC2951	SE140N	I. C. (HYBRID)	
IC2952	BA12T	I. C. (MONO-ANA)	
IC2953	BA17809T	I. C. (MONO-ANA)	
IC2954	BA05T	I. C. (MONO-ANA)	

Symbol No.	Part No.	Part Name	Description
OTHERS			
△ CP2953	ICP-N75-Y	I. C. PROTECT	
△ CP2956	ICP-N10-Y	I. C. PROTECT	
△ CP2957	ICP-N5-Y	I. C. PROTECT	
K2401	CE41433-001Z	BEADS CORE	
K2503-04	QQR0582-001Z	BEADS CORE	
K2904	QQR0679-001	FERRITE BEADS	
K2951	QQR0872-001Y	FERRITE BEADS	
K2952-54	CE41433-001Z	BEADS CORE	
PC2541-42	PC123F2	I. C. (PH. COUPLER)	
△ PC2901	TLP721F(D4-GR)	I. C. (PH. COUPLER)	
△ R2494	QRZ9017-4R7	F R	4.7 Ω 1/4W J
△ R2524	QRZ9017-4R7	F R	4.7 Ω 1/4W J
△ R2554	QRZ9022-R47	F R	0.47 Ω 1W K
△ R2555	QRZ9011-4R7	F R	4.7 Ω 1/2W J
△ R2913	QRZ9017-100	F R	10 Ω 1/4W J
△ RY2931	QSK0099-001	RELAY	
△ TH2901	QAD0120-9R0	P THERMISTOR	

■ CRT SOCKET P.W. BOARD ASS'Y (SJK-3511A-U2)

Symbol No.	Part No.	Part Name	Description
RESISTOR			
R3101-03	NRSA02J-101X	MG R	100Ω 1/10W J
R3107-09	NRSA02J-392X	MG R	3.9kΩ 1/10W J
R3110-12	NRSA02J-221X	MG R	220Ω 1/10W J
R3113-15	NRSA02J-470X	MG R	47Ω 1/10W J
R3116-18	QRL029J-153	OM R	15kΩ 2W J
R3119-21	QRL029J-183	OM R	18kΩ 2W J
R3125-27	QRZ0107-102Z	C R	1.0kΩ 1/2W K
R3130	QRG01GJ-101	OM R	100Ω 1W J
R3135	QRZ0107-474Z	C R	470kΩ 1/2W K
R3136	QRE121J-474Y	C R	470kΩ 1/2W J
R3137	QRZ0107-102Z	C R	1.0kΩ 1/2W K
R3138	QRE121J-105Y	C R	1MΩ 1/2W J
R3151	NRSA02J-102X	MG R	1kΩ 1/10W J
R3152	NRSA02J-472X	MG R	4.7kΩ 1/10W J
R3154	NRSA02J-OROX	MG R	0.0Ω 1/10W J
R3303	NRSA02J-101X	MG R	100Ω 1/10W J
R3312	NRSA02J-153X	MG R	15kΩ 1/10W J
R3313	NRSA02J-152X	MG R	1.5kΩ 1/10W J
R3314	NRSA02J-271X	MG R	270Ω 1/10W J
R3315	NRSA02J-101X	MG R	100Ω 1/10W J
R3316	NRSA02J-222X	MG R	2.2kΩ 1/10W J
R3317	NRSA02J-470X	MG R	47Ω 1/10W J
△ R3318	QRJ146J-100X	C R	10Ω 1/4W J
R3319	NRSA02J-470X	MG R	47Ω 1/10W J
R3320	NRSA02J-122X	MG R	1.2kΩ 1/10W J
R3321	NRSA02J-390X	MG R	39Ω 1/10W J
R3322	QRE121J-2R7Y	C R	2.7Ω 1/2W J
R3323-24	QRE121J-563Y	C R	56kΩ 1/2W J
R3325	NRSA02J-122X	MG R	1.2kΩ 1/10W J
R3326	QRE121J-2R7Y	C R	2.7Ω 1/2W J
R3327	NRSA02J-390X	MG R	39Ω 1/10W J
R3328	NRSA02J-121X	MG R	120Ω 1/10W J
R3329	QRL029J-391	OM R	390Ω 2W J

Symbol No.	Part No.	Part Name	Description
CAPACITOR			
C3101-03	NDC21HJ-471X	C CAP.	470pF 50V J
C3104	QETN1CM-107Z	E CAP.	100μF 16V M
C3105	QETN1EM-476Z	E CAP.	47μF 25V M
C3107	QETN1HM-106Z	E CAP.	10μF 50V M
C3113	QCZ0131-222	C CAP.	2200pF 2000V K
C3114	QETM2EM-336	E CAP.	33μF 250V M
C3115	QETM2EM-106	E CAP.	10μF 250V M
C3116	NDC21HJ-471X	C CAP.	470pF 50V J
C3304	NCB21HK-103X	C CAP.	0.01μF 50V K
C3305	QETN1HM-335Z	E CAP.	3.3μF 50V M
C3306	QETN1CM-107Z	E CAP.	100μF 16V M
C3307	NDC21HJ-5R0X	C CAP.	5.0pF 50V J
C3308	QETN2CM-106Z	E CAP.	10μF 160V M
C3309	QCB32HK-472Z	C CAP.	4700pF 500V K
C3310	QETN2CM-106Z	E CAP.	10μF 160V M
C3311	NDC21HJ-821X	C CAP.	820pF 50V J
C3312	QCB32HK-472Z	C CAP.	4700pF 500V K
C3313	NDC21HJ-561X	C CAP.	560pF 50V J
C3314	QETN1CM-107Z	E CAP.	100μF 16V M
C3315	QCS32HJ-680Z	C CAP.	68pF 500V J
C3316	QETN1CM-107Z	E CAP.	100μF 16V M
C3317	QETN1AM-337Z	E CAP.	330μF 10V M

Symbol No.	Part No.	Part Name	Description
COIL			
L3301	QQL244J-391Z	CHIP C CAPACITOR	

Symbol No.	Part No.	Part Name	Description
DIODE			
D3151	MA111-X	SI. DIODE	
D3152	MA3082/L/-X	ZENER DIODE	
D3153-55	MA111-X	SI. DIODE	
D3156	MA3047/H/-X	ZENER DIODE	
D3163	MA3150/M/-X	ZENER DIODE	
D3164	1SR35-400A-T2	SI. DIODE	
D3302-03	RH15-T3	SI. DIODE	

Symbol No.	Part No.	Part Name	Description
TRANSISTOR			
Q3101-03	25C1740S/QR/-T	SI. TRANSISTOR	
Q3104-06	25C4544-LB	SI. TRANSISTOR	
Q3151	25A1037AK/QR/-X	SI. TRANSISTOR	
Q3152	25C4682-T	SI. TRANSISTOR	
Q3304-05	25C1740S/QR/-T	SI. TRANSISTOR	
Q3306	25A933AS/QR/-T	SI. TRANSISTOR	
Q3307	25A1837	SI. TRANSISTOR	
Q3308	25C4793	SI. TRANSISTOR	

OTHERS			
FR3330	QRZ9021-561	F R	560 Ω 1W J
K3101	CE41433-001Z	BEADS CORE	
K3301-04	CE41492-001Z	CHOKE COIL	
SK3001	CE42670-001	C.R.T. SOCKET	

FRONT CONTROL P.W. BOARD ASS'Y (SJK-8511A-U2)

Symbol No.	Part No.	Part Name	Description
RESISTOR			
R8003	NRSA02J-332X	MG R	3.3kΩ 1/10W J
R8004	NRSA02J-472X	MG R	4.7kΩ 1/10W J
R8005	NRSA02J-561X	MG R	560Ω 1/10W J
R8008	NRSA02J-682X	MG R	6.8kΩ 1/10W J
R8020	NRSA02J-562X	MG R	5.6kΩ 1/10W J
R8039	NRSA02J-561X	MG R	560Ω 1/10W J

CAPACITOR			
C8003	QETN1HM-106Z	E CAP.	10μF 50V M
C8004	NCB21HK-104X	CHIP CAP.	0.1μF 50V K
C8022	QETN1CM-107Z	E CAP.	100μF 16V M
CB901	QFZ9040-474	MF CAP.	0.47μFAC275V M

DIODE			
D8007	P1241-04	C.D.S.	
D8008	MA111-X	SI. DIODE	
D8010	SPR-39MVWF	L.E.D.	
D8011	MA111-X	SI. DIODE	
D8014	MA3068/M/-X	ZENER DIODE	

TRANSISTOR			
Q8001	25A1037AK/QR/-X	SI. TRANSISTOR	
Q8003-04	DTA124EKA-X	DIGI. TRANSISTOR	

IC			
IC8001	GP1U281Q	IFR DETECT UNIT	

OTHERS			
CN8001	CM35921-005-H	CDS HOLDER	
LF8901	LC30349-001A-H	L.E.D. HOLDER	
LF8902	CEMG002-001Z	FUSE CLIP	
S8901	QGF1220C2-25	FFC/FPC CONNECTO	
LF8901	QMF51D2-3R15J1	FUSE	3.15A
LF8902	QQR1095-001	LINE FILTER	
S8901	QQR1095-001	LINE FILTER	
S8901	QSW0824-001	PUSH SWITCH	

SIDE CONTROL P.W. BOARD ASS'Y (SJK-8551A-U2)

Symbol No.	Part No.	Part Name	Description
RESISTOR			
R8001-02	QRE121J-271Y	C R	270Ω 1/2W J
R8010-12	NRSA02J-103X	MG R	10kΩ 1/10W J
R8021-22	NRSA02J-102X	MG R	1kΩ 1/10W J
R8317	NRSA02J-750X	MG R	75Ω 1/10W J

CAPACITOR			
C8001-02	NCB21HK-103X	C CAP.	0.01μF 50V K
C8003-04	NDC21HJ-102X	C CAP.	1000pF 50V J
C8310-11	NCB21HK-472X	C CAP.	4700pF 50V K
C8321	NCB21HK-104X	CHIP CAP.	0.1μF 50V K

COIL			
L8001	QQR0716-001Z	LEAD CORE	
L8002-03	QQL244K-5R6Z	COIL	5.6μH K
L8310-11	QQL244K-270Z	PEAKING COIL	
L8312	QQR0716-001Z	LEAD CORE	

OTHERS			
J8001	QNS0169-001	PIN JACK	
J8303	QNZ0438-001	JACK	
S8001	QSW0619-003Z	PUSH SWITCH	CH UP
S8002	QSW0619-003Z	PUSH SWITCH	VR
S8003	QSW0619-003Z	PUSH SWITCH	CH DOWN

AV SEL. P.W. BOARD ASS'Y (SJK0S911A-U2)

Symbol No.	Part No.	Part Name	Description
RESISTOR			
R0101-08	NRSA02J-750X	MG R	75Ω 1/10W J
R0110	NRSA02J-823X	MG R	82kΩ 1/10W J
R0112	NRSA02J-823X	MG R	82kΩ 1/10W J
R0113	NRSA02J-750X	MG R	75Ω 1/10W J
R0114	NRSA02J-473X	MG R	47kΩ 1/10W J
R0115-16	NRSA02J-223X	MG R	22kΩ 1/10W J
R0117-18	NRSA02J-823X	MG R	82kΩ 1/10W J
R0119-20	NRSA02J-391X	MG R	390Ω 1/10W J
R0123	NRSA02J-104X	MG R	100kΩ 1/10W J
R0124-25	NRSA02J-101X	MG R	100Ω 1/10W J
R0126	NRSA02J-333X	MG R	33kΩ 1/10W J
R0127	NRSA02J-101X	MG R	100Ω 1/10W J
R0128	NRSA02J-103X	MG R	10kΩ 1/10W J
R0129	NRSA02J-823X	MG R	82kΩ 1/10W J
R0130	NRSA02J-473X	MG R	47kΩ 1/10W J
R0131	NRSA02J-273X	MG R	27kΩ 1/10W J
R0132	NRSA02J-153X	MG R	15kΩ 1/10W J
R0133	NRSA02J-222X	MG R	2.2kΩ 1/10W J
R0134	NRSA02J-333X	MG R	33kΩ 1/10W J
R0135	NRSA02J-222X	MG R	2.2kΩ 1/10W J
R0136-37	NRSA02J-333X	MG R	33kΩ 1/10W J
R0138	NRSA02J-473X	MG R	47kΩ 1/10W J
R0139	NRSA02J-823X	MG R	82kΩ 1/10W J
R0140	NRSA02J-103X	MG R	10kΩ 1/10W J
R0141	NRSA02J-153X	MG R	15kΩ 1/10W J
R0142	NRSA02J-223X	MG R	22kΩ 1/10W J
R0143	NRSA02J-473X	MG R	47kΩ 1/10W J
R0144	NRSA02J-273X	MG R	27kΩ 1/10W J
R0146	NRSA02J-391X	MG R	390Ω 1/10W J
R0148	NRSA02J-391X	MG R	390Ω 1/10W J
R0151	NRSA02J-104X	MG R	100kΩ 1/10W J
R0152	NRSA02J-222X	MG R	2.2kΩ 1/10W J
R0153	NRSA02J-333X	MG R	33kΩ 1/10W J
R0154	NRSA02J-222X	MG R	2.2kΩ 1/10W J
R0155	NRSA02J-333X	MG R	33kΩ 1/10W J
R0156-69	NRSA02J-101X	MG R	100Ω 1/10W J
R0170	NRSA02J-333X	MG R	33kΩ 1/10W J
R0171	NRSA02J-222X	MG R	2.2kΩ 1/10W J

△ Symbol No.	Part No.	Part Name	Description
RESISTOR			
R0172	NRSA02J-473X	MG R	47kΩ 1/10W J
R0173	NRSA02J-823X	MG R	82kΩ 1/10W J
R0174	NRSA02J-103X	MG R	10kΩ 1/10W J
R0175	NRSA02J-153X	MG R	15kΩ 1/10W J
R0176	NRSA02J-473X	MG R	47kΩ 1/10W J
R0177	NRSA02J-273X	MG R	27kΩ 1/10W J
R0180-83	NRSA02J-101X	MG R	100Ω 1/10W J
R0184	NRSA02J-333X	MG R	33kΩ 1/10W J
R0185	NRSA02J-222X	MG R	2.2kΩ 1/10W J
R0186	NRSA02J-333X	MG R	33kΩ 1/10W J
R0188	NRSA02J-101X	MG R	100Ω 1/10W J
R0189-90	NRSA02J-221X	MG R	220Ω 1/10W J
R0191-92	NRSA02J-562X	MG R	5.6kΩ 1/10W J
R0193-94	NRSA02J-102X	MG R	1kΩ 1/10W J
R0195	QRG01GJ-101	OM R	100Ω 1W J
R0197	QRK126J-181X	C R	180Ω 1/2W J
R0198	NRSA02J-750X	MG R	75Ω 1/10W J
R0199	NRSA02J-101X	MG R	100Ω 1/10W J
R0202	QRK126J-151X	C R	150Ω 1/2W J
R0203-05	NRSA02J-750X	MG R	75Ω 1/10W J
R0207	NRSA02J-222X	MG R	2.2kΩ 1/10W J
R0208	NRSA02J-333X	MG R	33kΩ 1/10W J
R0209	NRSA02J-222X	MG R	2.2kΩ 1/10W J
R0210	NRSA02J-333X	MG R	33kΩ 1/10W J
R0211-12	NRSA02J-103X	MG R	10kΩ 1/10W J
R0301	NRSA02J-103X	MG R	10kΩ 1/10W J
R0302	NRSA02J-562X	MG R	5.6kΩ 1/10W J
R0303-04	NRSA02J-222X	MG R	2.2kΩ 1/10W J
R0305	NRSA02J-103X	MG R	10kΩ 1/10W J
R0309	NRSA02J-562X	MG R	5.6kΩ 1/10W J
R0310	NRSA02J-392X	MG R	3.9kΩ 1/10W J
R0313	NRSA02J-101X	MG R	100Ω 1/10W J
R0314	NRSA02J-473X	MG R	47kΩ 1/10W J
R0315	NRSA02J-102X	MG R	1kΩ 1/10W J
R0316	NRSA02J-122X	MG R	1.2kΩ 1/10W J
R0317	NRSA02J-273X	MG R	27kΩ 1/10W J
R0318-19	NRSA02J-102X	MG R	1kΩ 1/10W J
R0320	NRSA02J-473X	MG R	47kΩ 1/10W J
R0321	NRSA02J-101X	MG R	100Ω 1/10W J
R0322	NRSA02J-273X	MG R	27kΩ 1/10W J
R0323	NRSA02J-122X	MG R	1.2kΩ 1/10W J
R0324	NRSA02J-102X	MG R	1kΩ 1/10W J
R0325	NRSA02J-682X	MG R	6.8kΩ 1/10W J
R0603	NRSA02J-102X	MG R	1kΩ 1/10W J
R0606	QRG01GJ-181	OM R	180Ω 1W J
R0607	NRSA02J-123X	MG R	12kΩ 1/10W J
R0608	NRSA02J-181X	MG R	180Ω 1/10W J
R0609	NRSA02J-123X	MG R	12kΩ 1/10W J
R0610	NRSA02J-561X	MG R	560Ω 1/10W J
R0614	NRSA02J-223X	MG R	22kΩ 1/10W J
R0615	NRSA02J-273X	MG R	27kΩ 1/10W J
R0617	NRSA02J-103X	MG R	10kΩ 1/10W J
R0619-20	NRSA02J-103X	MG R	10kΩ 1/10W J
R0622	NRSA02J-223X	MG R	22kΩ 1/10W J
R0623	NRSA02J-273X	MG R	27kΩ 1/10W J
R0628	NRSA02J-0R0X	MG R	0.0Ω 1/10W J
R0629-30	NRSA02J-101X	MG R	100Ω 1/10W J
R0631	NRSA02J-122X	MG R	1.2kΩ 1/10W J
R0632	NRSA02J-223X	MG R	22kΩ 1/10W J
R0633	NRSA02J-272X	MG R	2.7kΩ 1/10W J
R0634	NRSA02J-223X	MG R	22kΩ 1/10W J
R0635	NRSA02J-272X	MG R	2.7kΩ 1/10W J
R0636	NRSA02J-682X	MG R	6.8kΩ 1/10W J
R0638	NRSA02J-682X	MG R	6.8kΩ 1/10W J
R0647-48	NRSA02J-101X	MG R	100Ω 1/10W J
CAPACITOR			
C0101	NDC21HJ-151X	C CAP.	150pF 50V J
C0102	QETN1CM-477Z	E CAP.	470μF 50V M
C0103-05	QETN1HM-106Z	E CAP.	10μF 50V M
C0106	NCB21HK-472X	C CAP.	4700pF 50V K
C0107	NCB21HK-152X	C CAP.	1500pF 50V K

△ Symbol No.	Part No.	Part Name	Description
CAPACITOR			
C0108	NCB21HK-472X	C CAP.	4700pF 50V K
C0109	NCB21HK-152X	C CAP.	1500pF 50V K
C0110	QETN1CM-477Z	E CAP.	470μF 50V M
C0111-12	NCB21HK-472X	C CAP.	4700pF 50V K
C0113	NDC21HJ-151X	C CAP.	150pF 50V J
C0114-15	NCB21HK-472X	C CAP.	4700pF 50V K
C0116-17	QETN1HM-106Z	E CAP.	10μF 50V M
C0118	NCB21HK-102X	C CAP.	1000pF 50V K
C0119	QETN1HM-105Z	E CAP.	1μF 50V M
C0120	QETN1HM-106Z	E CAP.	10μF 50V M
C0121	QETN1HM-105Z	E CAP.	1μF 50V M
C0122	NCB21HK-103X	C CAP.	0.01μF 50V K
C0123	NCB21HK-102X	C CAP.	1000pF 50V K
C0124-25	QETN1HM-106Z	E CAP.	10μF 50V M
C0126	QETN1HM-105Z	E CAP.	1μF 50V M
C0127	QETN1HM-106Z	E CAP.	10μF 50V M
C0128	QETN1HM-105Z	E CAP.	1μF 50V M
C0129	QETN1HM-106Z	E CAP.	10μF 50V M
C0130	QETN1HM-105Z	E CAP.	1μF 50V M
C0131	NCB21HK-102X	C CAP.	1000pF 50V K
C0132	QETN1HM-105Z	E CAP.	1μF 50V M
C0133	NCB21HK-103X	C CAP.	0.01μF 50V K
C0136	QETN1HM-106Z	E CAP.	10μF 50V M
C0137	QENC1EM-106Z	BP E CAP.	10μF 25V M
C0139	QENC1EM-106Z	BP E CAP.	10μF 25V M
C0140	QETN1CM-107Z	E CAP.	100μF 16V M
C0141	NCB21HK-103X	C CAP.	0.01μF 50V K
C0142	NCF21CZ-105X	C CAP.	1μF 16V Z
C0143	QENC1EM-106Z	BP E CAP.	10μF 25V M
C0144	NCF21CZ-105X	C CAP.	1μF 16V Z
C0145-46	QETN1CM-107Z	E CAP.	100μF 16V M
C0147	QETN1CM-477Z	E CAP.	470μF 16V M
C0149	NCB21HK-103X	C CAP.	0.01μF 50V K
C0150-51	QETN1HM-106Z	E CAP.	10μF 50V M
C0152-53	QETN1HM-105Z	E CAP.	1μF 50V M
C0154-55	NDC21HJ-680X	C CAP.	68pF 50V J
C0156	NCB21HK-103X	C CAP.	0.01μF 50V K
C0157-58	NDC21HJ-680X	C CAP.	68pF 50V J
C0159	NDC21HJ-561X	C CAP.	560pF 50V J
C0160	NDC21HJ-102X	C CAP.	1000pF 50V J
C0301	NDC21HJ-271X	C CAP.	270pF 50V J
C0306-07	NCB21EK-104X	C CAP.	0.1μF 25V K
C0308	NCB21HK-103X	C CAP.	0.01μF 50V K
C0310-11	QETN1HM-106Z	E CAP.	10μF 50V M
C0312	NCB21HK-103X	C CAP.	0.01μF 50V K
C0313	NCB21EK-104X	C CAP.	0.1μF 25V K
C0610	NDC21HJ-821X	C CAP.	820pF 50V J
C0611-12	NDC21HJ-470X	C CAP.	47pF 50V J
C0614	NDC21HJ-180X	C CAP.	18pF 50V J
C0616	QETN1CM-107Z	E CAP.	100μF 16V M
C0617	NCB21EK-104X	C CAP.	0.1μF 25V K
C0618	QETN1HM-106Z	E CAP.	10μF 50V M
C0619	NCB21EK-104X	C CAP.	0.1μF 25V K
C0620	QETN1HM-106Z	E CAP.	10μF 50V M
C0621-22	NCF21CZ-105X	C CAP.	1μF 16V Z
C0623	NCB21EK-104X	C CAP.	0.1μF 25V K
C0624	QETN1HM-106Z	E CAP.	10μF 50V M
C0625	NCB21HK-332X	C CAP.	3300pF 50V K
C0626	NCB21HK-333X	C CAP.	0.033μF 50V K
C0627	NCF21CZ-105X	C CAP.	1μF 16V Z
C0628	QETN1EM-476Z	E CAP.	47μF 25V M
C0629	QETN1HM-106Z	E CAP.	10μF 50V M
C0630-31	NCB21HK-102X	C CAP.	1000pF 50V K
C0632	NCB21EK-104X	C CAP.	0.1μF 25V K
C0633	QETN1HM-106Z	E CAP.	10μF 50V M
C0634-35	NCB21HK-103X	C CAP.	0.01μF 50V K
C0636	NDC21HJ-2R0X	C CAP.	2.0pF 50V J
C0637	NCB21HK-332X	C CAP.	3300pF 50V K
C0638	NCB21HK-333X	C CAP.	0.033μF 50V K
C0639	QETN1HM-106Z	E CAP.	10μF 50V M
C0640	QETN1EM-476Z	E CAP.	47μF 25V M
C0641	NCB21EK-104X	C CAP.	0.1μF 25V K
C0642	NDC21HJ-2R0X	C CAP.	2.0pF 50V J

Symbol No.	Part No.	Part Name	Description
CAPACITOR			
C0643	NCF21CZ-105X	C CAP.	1 μ F 16V Z
C0645	NCB21HK-103X	C CAP.	0.01 μ F 50V K
C0646	NCB21EK-104X	C CAP.	0.1 μ F 25V K
C0647	QETN1CM-107Z	E CAP.	100 μ F 16V M
C0648	NCB21EK-104X	C CAP.	0.1 μ F 25V K
C0649	QETN1CM-107Z	E CAP.	100 μ F 16V M
C0650	NDC21HJ-221X	C CAP.	220pF 50V J
C0651	NCB21HK-562X	C CAP.	5600pF 50V K
C0652	QETN1EM-476Z	E CAP.	47 μ F 25V M
C0653	NDC21HJ-221X	C CAP.	220pF 50V J
C0654	NCB21HK-562X	C CAP.	5600pF 50V K
C0659-60	NCF21CZ-105X	C CAP.	1 μ F 16V Z
C0677-78	NCB21HK-102X	C CAP.	1000pF 50V K
COIL			
L0114	QQR0716-001Z	LEAD CORE	
L0301	QQL244J-221Z	PEAKING COIL	
L0601	QQL244K-220Z	PEAKING COIL	
L0602	QQL244K-180Z	COIL	18 μ H K
L0604	QQL244K-100Z	COIL	10 μ H K
L0605	QQL244K-4R7Z	COIL	4.7 μ H K
DIODE			
D0101-13	MA3120/M/-X	ZENER DIODE	
D0601	RD8.2E/B2/-T2	ZENER DIODE	
D0602	MA3062/M/-X	ZENER DIODE	
TRANSISTOR			
Q0101	DTC323TK-X	DIGI. TRANSISTOR	
Q0102	2SA1037AK/QR/-X	SI. TRANSISTOR	
Q0103	DTC323TK-X	DIGI. TRANSISTOR	
Q0104-07	2SC2412K/QR/-X	SI. TRANSISTOR	
Q0108	2SA1037AK/QR/-X	SI. TRANSISTOR	
Q0109-10	DTC323TK-X	DIGI. TRANSISTOR	
Q0111-12	2SC2412K/QR/-X	SI. TRANSISTOR	
Q0116	2SA933AS/QR/-T	SI. TRANSISTOR	
Q0118	2SC1740S/QR/-T	SI. TRANSISTOR	
Q0119-20	2SC2412K/QR/-X	SI. TRANSISTOR	
Q0301	2SA1037AK/QR/-X	SI. TRANSISTOR	
Q0302-03	DTC124EKA-X	DIGI. TRANSISTOR	
Q0304-05	2SA1037AK/QR/-X	SI. TRANSISTOR	
Q0306	2SC2412K/QR/-X	SI. TRANSISTOR	
Q0307	2SA1037AK/QR/-X	SI. TRANSISTOR	
Q0308	2SC2412K/QR/-X	SI. TRANSISTOR	
Q0601	2SC2412K/QR/-X	SI. TRANSISTOR	
I C			
IC0101	CXA2089Q-X	I C	
IC0302	TDA9181T/N1-X	I. C. (MONO-ANA)	
IC0602	NJM2150AM-X	I. C. (MONO-ANA)	
IC0603	MSP3415DQGB3GHX	I. C. (MONO-ANA)	
IC0604	BA4558F-X	I. C. (MONO-ANA)	
OTHERS			
J0001	QNZ0465-001	PIN CONNECTOR	
J0002	QNZ0463-001	PIN CONNECTOR	
K0101-04	CE42681-001Y	BEADS CORE	
K0301	CE41433-001Z	BEADS CORE	
K0601	CE41433-001Z	BEADS CORE	
LC0601-02	CE42482-103Y	EMI FILTER	
X0601	CE42546-001Z	CRYSTAL	

AV28S2EIGR / AV28S2EIBL

PRINTED WIRING BOARD PARTS LIST

■ MAIN P.W. BOARD ASS'Y (SJK-1711A-U2)

△ Symbol No.	Part No.	Part Name	Description
RESISTOR			
R1001	NRSA02J-102X	MG R	1kΩ 1/10W J
R1002-03	NRSA02J-0R0X	MG R	0.0Ω 1/10W J
R1004-06	NRSA02J-102X	MG R	1kΩ 1/10W J
R1007	NRSA02J-104X	MG R	100kΩ 1/10W J
R1008	NRSA02J-0R0X	MG R	0.0Ω 1/10W J
R1009-10	NRSA02J-104X	MG R	100kΩ 1/10W J
R1301	NRSA02J-103X	MG R	10kΩ 1/10W J
R1302	NRSA02J-183X	MG R	18kΩ 1/10W J
R1303	NRSA02J-153X	MG R	15kΩ 1/10W J
R1304	QRG01GJ-121	OM R	120Ω 1W J
R1305	NRSA02J-562X	MG R	5.6kΩ 1/10W J
R1306	NRSA02J-222X	MG R	2.2kΩ 1/10W J
R1307	NRSA02J-102X	MG R	1kΩ 1/10W J
R1308	NRSA02J-471X	MG R	470Ω 1/10W J
R1309	NRSA02J-222X	MG R	2.2kΩ 1/10W J
R1310-11	NRSA02J-391X	MG R	390Ω 1/10W J
R1312-13	NRSA02J-101X	MG R	100Ω 1/10W J
R1314	NRSA02J-562X	MG R	5.6kΩ 1/10W J
R1316	NRSA02J-224X	MG R	220kΩ 1/10W J
R1317	NRSA02J-101X	MG R	100Ω 1/10W J
R1318-21	NRSA02J-102X	MG R	1kΩ 1/10W J
R1327	NRSA02J-471X	MG R	470Ω 1/10W J
R1328-29	NRSA02J-102X	MG R	1kΩ 1/10W J
R1330	NRSA02J-472X	MG R	4.7kΩ 1/10W J
R1331	NRSA02J-333X	MG R	33kΩ 1/10W J
R1332-33	NRSA02J-222X	MG R	2.2kΩ 1/10W J
R1335	NRSA02J-273X	MG R	27kΩ 1/10W J
R1336	NRSA02J-103X	MG R	10kΩ 1/10W J
R1337	NRSA02J-102X	MG R	1kΩ 1/10W J
R1338	NRSA02J-562X	MG R	5.6kΩ 1/10W J
R1339	NRSA02J-102X	MG R	1kΩ 1/10W J
R1340-41	NRSA02J-333X	MG R	33kΩ 1/10W J
R1342	NRSA02J-152X	MG R	1.5kΩ 1/10W J
R1343	NRSA02J-272X	MG R	2.7kΩ 1/10W J
R1344	NRSA02J-471X	MG R	470Ω 1/10W J
R1345	NRSA02J-102X	MG R	1kΩ 1/10W J
R1346	NRSA02J-223X	MG R	22kΩ 1/10W J
R1401-02	NRSA02J-103X	MG R	10kΩ 1/10W J
R1403	NRSA02J-102X	MG R	1kΩ 1/10W J
R1404	NRSA02J-183X	MG R	18kΩ 1/10W J
R1405	NRSA02J-223X	MG R	22kΩ 1/10W J
R1409	NRSA02J-0R0X	MG R	0.0Ω 1/10W J
R1411	NRVA02D-473X	MF R	47kΩ 1/10W D
R1413	NRVA02D-223X	MF R	22kΩ 1/10W D
R1414	NRVA02D-101X	MF R	100Ω 1/10W D
R1415	NRSA02J-562X	MG R	5.6kΩ 1/10W J
R1416	NRSA02J-101X	MG R	100Ω 1/10W J
R1417	NRSA02J-223X	MG R	22kΩ 1/10W J
R1418	NRSA02J-682X	MG R	6.8kΩ 1/10W J
R1419	NRSA02J-562X	MG R	5.6kΩ 1/10W J
R1420	NRSA02J-183X	MG R	18kΩ 1/10W J
R1501	NRSA02J-621X	MG R	620Ω 1/10W J
R1502	NRSA02J-103X	MG R	10kΩ 1/10W J
R1503	NRSA02J-104X	MG R	100kΩ 1/10W J
R1504	NRSA02J-822X	MG R	8.2kΩ 1/10W J
R1505-06	NRSA02J-221X	MG R	220Ω 1/10W J
R1507	NRSA02J-102X	MG R	1kΩ 1/10W J
R1508-09	NRSA02J-223X	MG R	22kΩ 1/10W J
R1511	NRSA02J-0R0X	MG R	0.0Ω 1/10W J
R1514	NRSA02J-472X	MG R	4.7kΩ 1/10W J
R1516	NRSA02J-222X	MG R	2.2kΩ 1/10W J
R1517	NRSA02J-472X	MG R	4.7kΩ 1/10W J
R1518	NRSA02J-682X	MG R	6.8kΩ 1/10W J
R1519	NRSA02J-562X	MG R	5.6kΩ 1/10W J
R1520	NRSA02J-152X	MG R	1.5kΩ 1/10W J
R1551	QRK126J-100X	C R	10Ω 1/2W J

△ Symbol No.	Part No.	Part Name	Description
RESISTOR			
R1552	NRSA02J-124X	MG R	120kΩ 1/10W J
R1553	NRSA02J-683X	MG R	68kΩ 1/10W J
R1554	NRSA02J-333X	MG R	33kΩ 1/10W J
R1555	NRSA02J-472X	MG R	4.7kΩ 1/10W J
R1556	NRSA02J-154X	MG R	150kΩ 1/10W J
R1557-58	NRSA02J-562X	MG R	5.6kΩ 1/10W J
R1559	NRSA02J-0R0X	MG R	0.0Ω 1/10W J
R1560	NRSA02J-104X	MG R	100kΩ 1/10W J
R1561	QRK126J-100X	C R	10Ω 1/2W J
R1571	NRSA02J-101X	MG R	100Ω 1/10W J
R1572	NRSA02J-133X	MG R	13kΩ 1/10W J
R1573	NRSA02J-821X	MG R	820Ω 1/10W J
R1602	NRSA02J-104X	MG R	100kΩ 1/10W J
R1604	NRSA02J-393X	MG R	39kΩ 1/10W J
R1605	NRSA02J-681X	MG R	680Ω 1/10W J
R1606	NRSA02J-393X	MG R	39kΩ 1/10W J
R1607	NRSA02J-681X	MG R	680Ω 1/10W J
R1608-09	NRSA02J-183X	MG R	18kΩ 1/10W J
R1610-11	NRSA02J-822X	MG R	8.2kΩ 1/10W J
R1633	NRSA02J-273X	MG R	27kΩ 1/10W J
R1638	NRSA02J-473X	MG R	47kΩ 1/10W J
R1648	NRSA02J-104X	MG R	100kΩ 1/10W J
R1649	NRSA02J-682X	MG R	6.8kΩ 1/10W J
R1650	NRSA02J-104X	MG R	100kΩ 1/10W J
R1660	QRK126J-2R2X	C R	2.2Ω 1/2W J
R1661	NRSA02J-103X	MG R	10kΩ 1/10W J
R1663	NRSA02J-561X	MG R	560Ω 1/10W J
R1664	NRSA02J-562X	MG R	5.6kΩ 1/10W J
R1683	QRK126J-2R2X	C R	2.2Ω 1/2W J
R1689	NRSA02J-473X	MG R	47kΩ 1/10W J
R1690	QRG01GJ-270	OM R	27Ω 1W J
R1701	NRSA02J-221X	MG R	220Ω 1/10W J
R1702	NRSA02J-822X	MG R	8.2kΩ 1/10W J
R1703	NRSA02J-273X	MG R	27kΩ 1/10W J
R1704	NRSA02J-473X	MG R	47kΩ 1/10W J
R1705	NRSA02J-102X	MG R	1kΩ 1/10W J
R1706	NRSA02J-223X	MG R	22kΩ 1/10W J
R1707-12	NRSA02J-103X	MG R	10kΩ 1/10W J
R1713-14	NRSA02J-102X	MG R	1kΩ 1/10W J
R1716	NRSA02J-102X	MG R	1kΩ 1/10W J
R1717	NRSA02J-104X	MG R	100kΩ 1/10W J
R1718-19	NRSA02J-682X	MG R	6.8kΩ 1/10W J
R1720	NRSA02J-472X	MG R	4.7kΩ 1/10W J
R1721	NRSA02J-103X	MG R	10kΩ 1/10W J
R1722	NRSA02J-472X	MG R	4.7kΩ 1/10W J
R1723	NRSA02J-102X	MG R	1kΩ 1/10W J
R1724-28	NRSA02J-472X	MG R	4.7kΩ 1/10W J
R1729-31	NRSA02J-221X	MG R	220Ω 1/10W J
R1732	NRSA02J-562X	MG R	5.6kΩ 1/10W J
R1733	NRSA02J-103X	MG R	10kΩ 1/10W J
R1734	NRSA02J-223X	MG R	22kΩ 1/10W J
R1736-39	NRSA02J-103X	MG R	10kΩ 1/10W J
R1740	NRSA02J-331X	MG R	330Ω 1/10W J
R1741-42	NRSA02J-102X	MG R	1kΩ 1/10W J
R1743-44	NRSA02J-101X	MG R	100Ω 1/10W J
R1745-47	NRSA02J-472X	MG R	4.7kΩ 1/10W J
R1748-52	NRSA02J-221X	MG R	220Ω 1/10W J
R1753	NRSA02J-102X	MG R	1kΩ 1/10W J
R1754	NRSA02J-683X	MG R	68kΩ 1/10W J
R1755	NRSA02J-102X	MG R	1kΩ 1/10W J
R1756	NRSA02J-103X	MG R	10kΩ 1/10W J
R1759	NRSA02J-472X	MG R	4.7kΩ 1/10W J
R1763	NRSA02J-103X	MG R	10kΩ 1/10W J
R1764-66	NRSA02J-221X	MG R	220Ω 1/10W J
R1767	NRSA02J-103X	MG R	10kΩ 1/10W J
R1770	NRSA02J-272X	MG R	2.7kΩ 1/10W J

△ Symbol No.	Part No.	Part Name	Description
--------------	----------	-----------	-------------

RESISTOR

R1771-73	NRSA02J-222X	MG R	2.2kΩ 1/10W J
R1774-75	NRSA02J-333X	MG R	33kΩ 1/10W J
R1777-79	NRSA02J-222X	MG R	2.2kΩ 1/10W J
R1780	NRSA02J-102X	MG R	1kΩ 1/10W J
R1784-85	NRSA02J-223X	MG R	22kΩ 1/10W J
R1786	NRSA02J-473X	MG R	47kΩ 1/10W J
R1787	NRSA02J-332X	MG R	3.3kΩ 1/10W J
R1788	NRSA02J-272X	MG R	2.7kΩ 1/10W J
R1789	NRSA02J-473X	MG R	47kΩ 1/10W J
R1790	NRSA02J-682X	MG R	6.8kΩ 1/10W J
R1801	NRSA02J-333X	MG R	33kΩ 1/10W J
R1802	NRSA02J-222X	MG R	2.2kΩ 1/10W J
R1804	NRSA02J-473X	MG R	47kΩ 1/10W J
R1805	NRSA02J-332X	MG R	3.3kΩ 1/10W J
R1806	NRSA02J-184X	MG R	180kΩ 1/10W J
R1834	NRSA02J-473X	MG R	47kΩ 1/10W J
R1835	NRSA02J-152X	MG R	1.5kΩ 1/10W J
R1837	NRSA02J-102X	MG R	1kΩ 1/10W J
R1838	NRSA02J-393X	MG R	39kΩ 1/10W J
R1839	NRSA02J-332X	MG R	3.3kΩ 1/10W J
R1840	NRSA02J-152X	MG R	1.5kΩ 1/10W J
R1841	NRSA02J-331X	MG R	330Ω 1/10W J
R1842	NRSA02J-222X	MG R	2.2kΩ 1/10W J
R1843	NRSA02J-332X	MG R	3.3kΩ 1/10W J
R1844	NRSA02J-392X	MG R	3.9kΩ 1/10W J
R1845	NRSA02J-272X	MG R	2.7kΩ 1/10W J
R1846	NRSA02J-103X	MG R	10kΩ 1/10W J
R1847-48	NRSA02J-472X	MG R	4.7kΩ 1/10W J
R1849	NRSA02J-823X	MG R	82kΩ 1/10W J
R1850-56	NRSA02J-102X	MG R	1kΩ 1/10W J
R1857	NRSA02J-472X	MG R	4.7kΩ 1/10W J
R1858	NRSA02J-223X	MG R	22kΩ 1/10W J
R1859	NRSA02J-823X	MG R	82kΩ 1/10W J
R1871	NRSA02J-102X	MG R	1kΩ 1/10W J
R1872-73	NRSA02J-222X	MG R	2.2kΩ 1/10W J
R1874	NRSA02J-272X	MG R	2.7kΩ 1/10W J
R1875	NRSA02J-104X	MG R	100kΩ 1/10W J
R1876	NRSA02J-102X	MG R	1kΩ 1/10W J
R1877	NRSA02J-393X	MG R	39kΩ 1/10W J
R1878-80	NRSA02J-152X	MG R	1.5kΩ 1/10W J
R1881-82	NRSA02J-331X	MG R	330Ω 1/10W J
R1883	NRSA02J-102X	MG R	1kΩ 1/10W J
R1884	NRSA02J-331X	MG R	330Ω 1/10W J

CAPACITOR

C1001	NCB21HK-222X	C CAP.	2200pF 50V K
C1003	NCB21EK-104X	C CAP.	0.1μF 25V K
C1004	QETN1CM-108Z	E CAP.	1000μF 16V M
C1005	QETN1CM-107Z	E CAP.	1000μF 16V M
C1006	QETN1HM-106Z	E CAP.	10μF 50V M
C1007	NCB21EK-104X	C CAP.	0.1μF 25V K
C1008	QETN1HM-106Z	E CAP.	10μF 50V M
C1009	NCB21EK-104X	C CAP.	0.1μF 25V K
C1010	QETN1CM-107Z	E CAP.	100μF 16V M
C1301	NCB21EK-104X	C CAP.	0.1μF 25V K
C1302	NCB21HK-823X	CHIP CAP.	0.082μF 50V K
C1303	QETN1EM-476Z	E CAP.	47μF 25V M
C1304	NCB21HK-103X	C CAP.	0.01μF 50V K
C1305	QETN1CM-107Z	E CAP.	1000μF 16V M
C1306	NCB21HK-103X	C CAP.	0.01μF 50V K
C1307	QETN1CM-477Z	E CAP.	470μF 16V M
C1308	NDC21HJ-120X	C CAP.	12pF 50V J
C1309	QETN1HM-475Z	E CAP.	4.7μF 50V M
C1310	NCB21HK-103X	C CAP.	0.01μF 50V K
C1311	QETN1HM-106Z	E CAP.	10μF 50V M
C1312	NDC21HJ-680X	C CAP.	68pF 50V J
C1313	QETN1CM-107Z	E CAP.	100μF 16V M
C1314	NCB21HK-103X	C CAP.	0.01μF 50V K
C1315	QETN1HM-106Z	E CAP.	10μF 50V M
C1319	QETN1CM-107Z	E CAP.	100μF 16V M
C1320	NCB21HK-103X	C CAP.	0.01μF 50V K

△ Symbol No.	Part No.	Part Name	Description
--------------	----------	-----------	-------------

CAPACITOR

C1321-23	NCB21EK-104X	C CAP.	0.1μF 25V K
C1324-26	QETN1HM-105Z	E CAP.	1μF 50V M
C1327	QETN1HM-475Z	E CAP.	4.7μF 50V M
C1328	QETN1CM-107Z	E CAP.	1000μF 16V M
C1329	QETN1EM-476Z	E CAP.	47μF 25V M
C1330	NDC21HJ-390X	C CAP.	39pF 50V J
C1331	QETN1HM-105Z	E CAP.	1μF 50V M
C1332	NCB21HK-103X	C CAP.	0.01μF 50V K
C1333	NCB21EK-104X	C CAP.	0.1μF 25V K
C1401	QETN1HM-105Z	E CAP.	1μF 50V M
C1403-05	NCB21HK-103X	C CAP.	0.01μF 50V K
C1406	QFV71HJ-184Z	MF CAP.	0.18μF 50V J
C1407	QFV71HJ-824Z	MF CAP.	0.82μF 50V J
C1408	NCB21HK-153X	C CAP.	0.015μF 50V K
C1501	QETN1CM-107Z	E CAP.	100μF 16V M
C1502-04	NCB21HK-103X	C CAP.	0.01μF 50V K
C1505	NCB21HK-332X	C CAP.	3300pF 50V K
C1506	QETN1HM-335Z	E CAP.	3.3μF 50V M
C1507	NCB21HK-103X	C CAP.	0.01μF 50V K
C1508	QETN1CM-108Z	E CAP.	10000μF 16V M
C1509	NCB21HK-823X	CHIP CAP.	0.082μF 50V K
C1510-11	NCB21HK-103X	C CAP.	0.01μF 50V K
C1512	QTMN1HM-105Z	E CAP.	0.1μF 50V K
C1513	QETN1CM-228Z	E CAP.	2200μF 16V M
C1514	NCB21HK-103X	C CAP.	0.01μF 50V K
C1515	QFV71HJ-394Z	MF CAP.	0.39μF 50V J
C1516	NCB21HK-103X	C CAP.	0.01μF 50V K
C1551-52	NCB21EK-224X	CHIP CAP.	0.22μF 25V K
C1553	QETN1EM-476Z	E CAP.	47μF 25V M
C1554-55	NCB21EK-224X	CHIP CAP.	0.22μF 25V K
C1571	NCB21HK-103X	C CAP.	0.01μF 50V K
C1601-02	NCB21HK-103X	C CAP.	0.01μF 50V K
C1603-04	NCF21CZ-105X	C CAP.	1μF 16V Z
C1606	NRSA02J-0R0X	MG R	0.0Ω 1/10W J
C1622-23	QETN1CM-227Z	E CAP.	2200μF 16V M
C1625	QETN1HM-105Z	E CAP.	1μF 50V M
C1635	QETN1HM-105Z	E CAP.	1μF 50V M
C1636	QETN1HM-107Z	E CAP.	100μF 50V M
C1637	QETN1HM-106Z	E CAP.	10μF 50V M
C1638-39	NCF21HZ-224X	C CAP.	0.22μF 50V Z
C1653	NCF21HZ-224X	C CAP.	0.22μF 50V Z
C1655	NCF21HZ-224X	C CAP.	0.22μF 50V Z
C1656	QETN1HM-228	E CAP.	2200μF 50V M
C1661-62	QETN1VM-108	E CAP.	1000μF 35V M
C1668	NCB21EK-104X	C CAP.	0.1μF 25V K
C1671	QETN1CM-107Z	E CAP.	100μF 16V M
C1672	NCB21EK-104X	C CAP.	0.1μF 25V K
C1701	NCF21CZ-105X	C CAP.	1μF 16V Z
C1703	QETN1EM-476Z	E CAP.	47μF 25V M
C1704	NCB21EK-104X	C CAP.	0.1μF 25V K
C1705	QETN1AM-107Z	E CAP.	100μF 10V M
C1706	NCB21EK-104X	C CAP.	0.1μF 25V K
C1707	QETN1HM-474Z	E CAP.	0.47μF 50V M
C1708	QETN1EM-476Z	E CAP.	47μF 25V M
C1709-10	NDC21HJ-9R0X	C CAP.	9.0pF 50V J
C1711	NCB21EK-104X	C CAP.	0.1μF 25V K
C1712	NDC21HJ-151X	C CAP.	150pF 50V J
C1713	QETN1HM-105Z	E CAP.	1μF 50V M
C1714	NDC21HJ-561X	C CAP.	560pF 50V J
C1716-17	QETN1HM-105Z	E CAP.	1μF 50V M
C1718	NCB21HK-333X	C CAP.	0.033μF 50V K
C1725	NCB21HK-102X	C CAP.	1000pF 50V K
C1831	QENC1CM-476Z	BP E CAP.	47μF 16V M
C1832	QETN1EM-476Z	E CAP.	47μF 25V M
C1833	NDC21HJ-221X	C CAP.	220pF 50V J
C1834	NCB21EK-104X	C CAP.	0.1μF 25V K
C1835	NDC21HJ-220X	C CAP.	22pF 50V J
C1836-38	NCB21EK-104X	C CAP.	0.1μF 25V K
C1839	QETN1HM-106Z	E CAP.	10μF 50V M
C1871	NCB21EK-104X	C CAP.	0.1μF 25V K
C1872	NCB21HK-223X	C CAP.	0.022μF 50V K
C1873	NDC21HJ-221X	C CAP.	220pF 50V J
C1874-75	NDC21HJ-150X	C CAP.	15pF 50V J

△ Symbol No.	Part No.	Part Name	Description
CAPACITOR			
C1876	NCB21HK-102X	C CAP.	1000pF 50V K
C1877	NCB21EK-104X	C CAP.	0.1μF 25V K
C1878	NCB21HK-102X	C CAP.	1000pF 50V K
C1879	NDC21HJ-180X	C CAP.	18pF 50V J
C1880	QETN1AM-477Z	E CAP.	470μF 10V M
C1881	NCB21EK-104X	C CAP.	0.1μF 25V K
C1882	QETN1EM-476Z	E CAP.	47μF 25V M
C1883	NCB21HK-103X	C CAP.	0.01μF 50V K
C1884-85	NCB21EK-104X	C CAP.	0.1μF 25V K
C1886	NCB21HK-103X	C CAP.	0.01μF 50V K
C1887-89	QETN1HM-106Z	E CAP.	10μF 50V M

Symbol No.	Part No.	Part Name	Description
COIL			
L1001	QQL244K-5R6Z	COIL	5.6μH K
L1002	QQL244K-270Z	PEAKING COIL	
L1301-02	QQL244K-4R7Z	COIL	4.7μH K
L1305	QQL244K-4R7Z	COIL	4.7μH K
L1306	QQL244K-330Z	COIL	33μH K
L1501	QQL244J-151Z	PEAKING COIL	
L1701	QQL244K-4R7Z	COIL	4.7μH K
L1702	QQL244K-3R9Z	COIL	3.9μH K
L1871	QQL244K-4R7Z	COIL	4.7μH K

Symbol No.	Part No.	Part Name	Description
DIODE			
D1301	MA3051/M/-X	ZENER DIODE	
D1302-04	MA111-X	SI DIODE	
D1503	RB100A-T2	SI DIODE	
D1602	MA111-X	SI DIODE	
D1608-10	MA111-X	SI DIODE	
D1612-13	MA111-X	SI DIODE	
D1617-18	MA3330/L/-X	ZENER DIODE	
D1624-25	MA111-X	SI DIODE	
D1701	MA3068/M/-X	ZENER DIODE	
D1702	MA111-X	SI DIODE	
D1704	MA111-X	SI DIODE	
D1705	MA3036-X	ZENER DIODE	
D1706-08	MA111-X	SI DIODE	
D1710	MA111-X	SI DIODE	
D1831	MA3051/M/-X	ZENER DIODE	

Symbol No.	Part No.	Part Name	Description
TRANSISTOR			
Q1301-02	2SA1037AK/QR/-X	SI TRANSISTOR	
Q1308	DTC124EKA-X	DIGI. TRANSISTOR	
Q1309	2SC2412K/QR/-X	SI TRANSISTOR	
Q1310	2SA1037AK/QR/-X	SI TRANSISTOR	
Q1311	DTC124EKA-X	DIGI. TRANSISTOR	
Q1312	2SA1037AK/QR/-X	SI TRANSISTOR	
Q1401	DTC124EKA-X	DIGI. TRANSISTOR	
Q1402	2SC2412K/QR/-X	SI TRANSISTOR	
Q1601	2SA1037AK/QR/-X	SI TRANSISTOR	
Q1602-03	DTC323TK-X	DIGI. TRANSISTOR	
Q1604	2SA1037AK/QR/-X	SI TRANSISTOR	
Q1609	2SA1037AK/QR/-X	SI TRANSISTOR	
Q1610	DTC323TK-X	DIGI. TRANSISTOR	
Q1612	DTC323TK-X	DIGI. TRANSISTOR	
Q1613	2SA1037AK/QR/-X	SI TRANSISTOR	
Q1614	2SC2412K/QR/-X	SI TRANSISTOR	
Q1701-04	2SC2412K/QR/-X	SI TRANSISTOR	
Q1705-06	2SA1037AK/QR/-X	SI TRANSISTOR	
Q1707	2SC2412K/QR/-X	SI TRANSISTOR	
Q1708	2SA1037AK/QR/-X	SI TRANSISTOR	
Q1709-10	2SC2412K/QR/-X	SI TRANSISTOR	
Q1832-33	2SC2412K/QR/-X	SI TRANSISTOR	
Q1834	2SA1037AK/QR/-X	SI TRANSISTOR	
Q1835-37	2SC2412K/QR/-X	SI TRANSISTOR	
Q1871	2SA1037AK/QR/-X	SI TRANSISTOR	
Q1872	2SC2412K/QR/-X	SI TRANSISTOR	

Symbol No.	Part No.	Part Name	Description
IC			
IC1301	TB1227CN	I C	
IC1302	TC4053BP/N/	I.C. (DIGI-MOS)	

△ Symbol No.	Part No.	Part Name	Description
IC			
IC1501	AN5441SA-W	I C	
IC1551	LA6515	I.C. (MONO-ANA)	
IC1601	TA8246AH	I.C. (HYBRID)	
IC1607	BA05T	I.C. (MONO-ANA)	
IC1701	M37280MK-106SP	I.C. (MICRO-COMP)	
IC1702	AT24C16-32WFT1	I.C.	(SERVICE)
IC1703	L78LR05E-MA	I.C. (MONO-ANA)	
IC1704	JLC1562BF-X	I.C. (DIGI-MOS)	
IC1831	JCC5035	I.C. (DIGI-MOS)	
IC1832	MN1382/Q/-X	I.C. (MONO-ANA)	
IC1871	ET417	I.C. (M)	
IC1872	ET206	I.C. (M)	

Symbol No.	Part No.	Part Name	Description
OTHERS			
CN1001	QGF1220C2-25	FFC/FPC CONNECTO	
J1001	QNN0296-001	PIN JACK	
K1001	CE41433-001Z	BEADS CORE	
K1004	CE41433-001Z	BEADS CORE	
K1307	CE41433-001Z	BEADS CORE	
K1601-02	CE42681-001Y	BEADS CORE	
K1872	QQL244K-3R3Z	COIL	3.3μH K
LC1301	CE42142-222Z	EMI FILTER	
TU1001	QAU0188-003	TUNER	
X1301	QAX0305-001Z	CRYSTAL	
X1701	CST8.00MTW	CER. RESONATOR	
X1831	QAX0624-001Z	C RESONATOR	
X1871	CE41257-001Z	CRYSTAL	

■ POWER & DEF. P.W. BOARD ASS'Y (SJK-2511A-U2)

Refer to PARTS LIST in page 38 for this P.W. board.

■ CRT SOCKET P.W. BOARD ASS'Y (SJK-3511A-U2)

Refer to PARTS LIST in page 40 for this P.W. board.

■ FRONT CONTROL P.W. BOARD ASS'Y (SJK-8511A-U2)

Refer to PARTS LIST in page 41 for this P.W. board.

■ SIDE CONTROL P.W. BOARD ASS'Y (SJK-8551A-U2)

Refer to PARTS LIST in page 41 for this P.W. board.

■ AV SEL. P.W. BOARD ASS'Y (SJK0S711A-U2)

△ Symbol No.	Part No.	Part Name	Description
RESISTOR			
R0101-08	NRSA02J-750X	MG R	75Ω 1/10W J
R0110	NRSA02J-823X	MG R	82kΩ 1/10W J
R0112	NRSA02J-823X	MG R	82kΩ 1/10W J
R0113	NRSA02J-750X	MG R	75Ω 1/10W J
R0114	NRSA02J-473X	MG R	47kΩ 1/10W J
R0115-16	NRSA02J-223X	MG R	22kΩ 1/10W J
R0117-18	NRSA02J-823X	MG R	82kΩ 1/10W J
R0119-20	NRSA02J-391X	MG R	390Ω 1/10W J
R0123	NRSA02J-104X	MG R	100kΩ 1/10W J
R0124-25	NRSA02J-101X	MG R	100Ω 1/10W J
R0126	NRSA02J-333X	MG R	33kΩ 1/10W J
R0127	NRSA02J-101X	MG R	100Ω 1/10W J
R0128	NRSA02J-103X	MG R	10kΩ 1/10W J
R0129	NRSA02J-823X	MG R	82kΩ 1/10W J
R0130	NRSA02J-473X	MG R	47kΩ 1/10W J
R0131	NRSA02J-273X	MG R	27kΩ 1/10W J
R0132	NRSA02J-153X	MG R	15kΩ 1/10W J
R0133	NRSA02J-222X	MG R	2.2kΩ 1/10W J
R0134	NRSA02J-333X	MG R	33kΩ 1/10W J
R0135	NRSA02J-222X	MG R	2.2kΩ 1/10W J
R0136-37	NRSA02J-333X	MG R	33kΩ 1/10W J
R0138	NRSA02J-473X	MG R	47kΩ 1/10W J
R0139	NRSA02J-823X	MG R	82kΩ 1/10W J
R0140	NRSA02J-103X	MG R	10kΩ 1/10W J
R0141	NRSA02J-153X	MG R	15kΩ 1/10W J
R0142	NRSA02J-223X	MG R	22kΩ 1/10W J
R0143	NRSA02J-473X	MG R	47kΩ 1/10W J
R0144	NRSA02J-273X	MG R	27kΩ 1/10W J
R0146	NRSA02J-391X	MG R	390Ω 1/10W J
R0148	NRSA02J-391X	MG R	390Ω 1/10W J
R0151	NRSA02J-104X	MG R	100kΩ 1/10W J
R0152	NRSA02J-222X	MG R	2.2kΩ 1/10W J
R0153	NRSA02J-333X	MG R	33kΩ 1/10W J
R0154	NRSA02J-222X	MG R	2.2kΩ 1/10W J
R0155	NRSA02J-333X	MG R	33kΩ 1/10W J
R0156-69	NRSA02J-101X	MG R	100Ω 1/10W J
R0170	NRSA02J-333X	MG R	33kΩ 1/10W J
R0171	NRSA02J-222X	MG R	2.2kΩ 1/10W J
R0172	NRSA02J-473X	MG R	47kΩ 1/10W J
R0173	NRSA02J-823X	MG R	82kΩ 1/10W J
R0174	NRSA02J-103X	MG R	10kΩ 1/10W J
R0175	NRSA02J-153X	MG R	15kΩ 1/10W J
R0176	NRSA02J-473X	MG R	47kΩ 1/10W J
R0177	NRSA02J-273X	MG R	27kΩ 1/10W J
R0180-83	NRSA02J-101X	MG R	100Ω 1/10W J
R0184	NRSA02J-333X	MG R	33kΩ 1/10W J
R0185	NRSA02J-222X	MG R	2.2kΩ 1/10W J
R0186	NRSA02J-333X	MG R	33kΩ 1/10W J
R0188	NRSA02J-101X	MG R	100Ω 1/10W J
R0189-90	NRSA02J-221X	MG R	220Ω 1/10W J
R0191-92	NRSA02J-562X	MG R	5.6kΩ 1/10W J
R0193-94	NRSA02J-102X	MG R	1kΩ 1/10W J
R0195	QRG01GJ-101	OM R	100Ω 1W J
R0197	QRK126J-181X	C R	180Ω 1/2W J
R0198	NRSA02J-750X	MG R	75Ω 1/10W J
R0199	NRSA02J-101X	MG R	100Ω 1/10W J
R0202	QRK126J-151X	C R	150Ω 1/2W J
R0203-05	NRSA02J-750X	MG R	75Ω 1/10W J
R0207	NRSA02J-222X	MG R	2.2kΩ 1/10W J
R0208	NRSA02J-333X	MG R	33kΩ 1/10W J
R0209	NRSA02J-222X	MG R	2.2kΩ 1/10W J
R0210	NRSA02J-333X	MG R	33kΩ 1/10W J
R0211-12	NRSA02J-103X	MG R	10kΩ 1/10W J
R0301	NRSA02J-103X	MG R	10kΩ 1/10W J
R0302	NRSA02J-562X	MG R	5.6kΩ 1/10W J
R0303-04	NRSA02J-222X	MG R	2.2kΩ 1/10W J
R0305	NRSA02J-103X	MG R	10kΩ 1/10W J
R0309	NRSA02J-562X	MG R	5.6kΩ 1/10W J
R0310	NRSA02J-392X	MG R	3.9kΩ 1/10W J
R0313	NRSA02J-101X	MG R	100Ω 1/10W J
R0314	NRSA02J-473X	MG R	47kΩ 1/10W J

△ Symbol No.	Part No.	Part Name	Description
RESISTOR			
R0315	NRSA02J-102X	MG R	1kΩ 1/10W J
R0316	NRSA02J-122X	MG R	1.2kΩ 1/10W J
R0317	NRSA02J-273X	MG R	27kΩ 1/10W J
R0318-19	NRSA02J-102X	MG R	1kΩ 1/10W J
R0320	NRSA02J-473X	MG R	47kΩ 1/10W J
R0321	NRSA02J-101X	MG R	100Ω 1/10W J
R0322	NRSA02J-273X	MG R	27kΩ 1/10W J
R0323	NRSA02J-122X	MG R	1.2kΩ 1/10W J
R0324	NRSA02J-102X	MG R	1kΩ 1/10W J
R0325	NRSA02J-682X	MG R	6.8kΩ 1/10W J
R0603	NRSA02J-102X	MG R	1kΩ 1/10W J
R0606	QRG01GJ-181	OM R	180Ω 1W J
R0607	NRSA02J-123X	MG R	12kΩ 1/10W J
R0608	NRSA02J-181X	MG R	180Ω 1/10W J
R0609	NRSA02J-123X	MG R	12kΩ 1/10W J
R0610	NRSA02J-561X	MG R	560Ω 1/10W J
R0614	NRSA02J-223X	MG R	22kΩ 1/10W J
R0615	NRSA02J-273X	MG R	27kΩ 1/10W J
R0617	NRSA02J-103X	MG R	10kΩ 1/10W J
R0619-20	NRSA02J-103X	MG R	10kΩ 1/10W J
R0622	NRSA02J-223X	MG R	22kΩ 1/10W J
R0623	NRSA02J-273X	MG R	27kΩ 1/10W J
R0624	NRSA02J-104X	MG R	100kΩ 1/10W J
R0628	NRSA02J-0R0X	MG R	0.0Ω 1/10W J
R0629-30	NRSA02J-101X	MG R	100Ω 1/10W J
R0631	NRSA02J-122X	MG R	1.2kΩ 1/10W J
R0632	NRSA02J-223X	MG R	22kΩ 1/10W J
R0633	NRSA02J-272X	MG R	2.7kΩ 1/10W J
R0634	NRSA02J-223X	MG R	22kΩ 1/10W J
R0635	NRSA02J-272X	MG R	2.7kΩ 1/10W J
R0636	NRSA02J-682X	MG R	6.8kΩ 1/10W J
R0638	NRSA02J-682X	MG R	6.8kΩ 1/10W J
R0647-48	NRSA02J-101X	MG R	100Ω 1/10W J
CAPACITOR			
C0101	NDC21HJ-151X	C CAP.	150pF 50V J
C0102	QETN1CM-477Z	E CAP.	470nF 16V M
C0103-05	QETN1HM-106Z	E CAP.	10μF 50V M
C0106	NCB21HK-472X	C CAP.	4700pF 50V K
C0107	NCB21HK-152X	C CAP.	1500pF 50V K
C0108	NCB21HK-472X	C CAP.	4700pF 50V K
C0109	NCB21HK-152X	C CAP.	1500pF 50V K
C0110	QETN1CM-477Z	E CAP.	470nF 16V M
C0111-12	NCB21HK-472X	C CAP.	4700pF 50V K
C0113	NDC21HJ-151X	C CAP.	150pF 50V J
C0114-15	NCB21HK-472X	C CAP.	4700pF 50V K
C0116-17	QETN1HM-106Z	E CAP.	10μF 50V M
C0118	NCB21HK-102X	C CAP.	1000pF 50V K
C0119	QETN1HM-105Z	E CAP.	1μF 50V M
C0120	QETN1HM-106Z	E CAP.	10μF 50V M
C0121	QETN1HM-105Z	E CAP.	1μF 50V M
C0122	NCB21HK-103X	C CAP.	0.01μF 50V K
C0123	NCB21HK-102X	C CAP.	1000pF 50V K
C0124-25	QETN1HM-106Z	E CAP.	10μF 50V M
C0126	QETN1HM-105Z	E CAP.	1μF 50V M
C0127	QETN1HM-106Z	E CAP.	10μF 50V M
C0128	QETN1HM-105Z	E CAP.	1μF 50V M
C0129	QETN1HM-106Z	E CAP.	10μF 50V M
C0130	QETN1HM-105Z	E CAP.	1μF 50V M
C0131	NCB21HK-102X	C CAP.	1000pF 50V K
C0132	QETN1HM-105Z	E CAP.	1μF 50V M
C0133	NCB21HK-103X	C CAP.	0.01μF 50V K
C0136	QETN1HM-106Z	E CAP.	10μF 50V M
C0137	QENC1EM-106Z	BP E CAP.	10μF 25V M
C0139	QENC1EM-106Z	BP E CAP.	10μF 25V M
C0140	QETN1CM-107Z	E CAP.	100μF 16V M
C0141	NCB21HK-103X	C CAP.	0.01μF 50V K
C0142	NCF21CZ-105X	C CAP.	1μF 16V Z
C0143	QENC1EM-106Z	BP E CAP.	10μF 25V M
C0144	NCF21CZ-105X	C CAP.	1μF 16V Z

△ Symbol No.	Part No.	Part Name	Description
CAPACITOR			
C0145-46	QETN1CM-107Z	E CAP.	100µF 16V M
C0147	QETN1CM-477Z	E CAP.	470µF 16V M
C0149	NCB21HK-103X	C CAP.	0.01µF 50V K
C0150-51	QETN1HM-106Z	E CAP.	10µF 50V M
C0152-53	QETN1HM-105Z	E CAP.	1µF 50V M
C0154-55	NDC21HJ-680X	C CAP.	68pF 50V J
C0156	NCB21HK-103X	C CAP.	0.01µF 50V K
C0157-58	NDC21HJ-680X	C CAP.	68pF 50V J
C0159	NDC21HJ-561X	C CAP.	560pF 50V J
C0160	NDC21HJ-102X	C CAP.	1000pF 50V J
C0301	NDC21HJ-271X	C CAP.	270pF 50V J
C0306-07	NCB21EK-104X	C CAP.	0.1µF 25V K
C0308	NCB21HK-103X	C CAP.	0.01µF 50V K
C0310-11	QETN1HM-106Z	E CAP.	10µF 50V M
C0312	NCB21HK-103X	C CAP.	0.01µF 50V K
C0313	NCB21EK-104X	C CAP.	0.1µF 25V K
C0610	NDC21HJ-821X	C CAP.	820pF 50V J
C0611-12	NDC21HJ-470X	C CAP.	47pF 50V J
C0614	NDC21HJ-180X	C CAP.	18pF 50V J
C0616	QETN1CM-107Z	E CAP.	100µF 16V M
C0617	NCB21EK-104X	C CAP.	0.1µF 25V K
C0618	QETN1HM-106Z	E CAP.	10µF 50V M
C0619	NCB21EK-104X	C CAP.	0.1µF 25V K
C0620	QETN1HM-106Z	E CAP.	10µF 50V M
C0621-22	NCF21CZ-105X	C CAP.	1µF 16V Z
C0623	NCB21EK-104X	C CAP.	0.1µF 25V K
C0624	QETN1HM-106Z	E CAP.	10µF 50V M
C0625	NCB21HK-332X	C CAP.	3300pF 50V K
C0626	NCB21HK-333X	C CAP.	0.033µF 50V K
C0627	NCF21CZ-105X	C CAP.	1µF 16V Z
C0628	QETN1EM-476Z	E CAP.	47µF 25V M
C0629	QETN1HM-106Z	E CAP.	10µF 50V M
C0630-31	NCB21HK-102X	C CAP.	1000pF 50V K
C0632	NCB21EK-104X	C CAP.	0.1µF 25V K
C0633	QETN1HM-106Z	E CAP.	10µF 50V M
C0634-35	NCB21HK-103X	C CAP.	0.01µF 50V K
C0636	NDC21HJ-2R0X	C CAP.	2.0pF 50V J
C0637	NCB21HK-332X	C CAP.	3300pF 50V K
C0638	NCB21HK-333X	C CAP.	0.033µF 50V K
C0639	QETN1HM-106Z	E CAP.	10µF 50V M
C0640	QETN1EM-476Z	E CAP.	47µF 25V M
C0641	NCB21EK-104X	C CAP.	0.1µF 25V K
C0642	NDC21HJ-2R0X	C CAP.	2.0pF 50V J
C0643	NCF21CZ-105X	C CAP.	1µF 16V Z
C0645	NCB21HK-103X	C CAP.	0.01µF 50V K
C0646	NCB21EK-104X	C CAP.	0.1µF 25V K
C0647	QETN1CM-107Z	E CAP.	100µF 16V M
C0648	NCB21EK-104X	C CAP.	0.1µF 25V K
C0649	QETN1CM-107Z	E CAP.	100µF 16V M
C0650	NDC21HJ-221X	C CAP.	220pF 50V J
C0651	NCB21HK-562X	C CAP.	5600pF 50V K
C0652	QETN1EM-476Z	E CAP.	47µF 25V M
C0653	NDC21HJ-221X	C CAP.	220pF 50V J
C0654	NCB21HK-562X	C CAP.	5600pF 50V K
C0659-60	NCF21CZ-105X	C CAP.	1µF 16V Z
C0677-78	NCB21HK-102X	C CAP.	1000pF 50V K

COIL

L0114	QQR0716-001Z	LEAD CORE	
L0301	QLL244J-221Z	PEAKING COIL	
L0601	QLL244K-220Z	PEAKING COIL	
L0602	QLL244K-180Z	COIL	18µH K
L0604	QLL244K-100Z	COIL	10µH K
L0605	QLL244K-4R7Z	COIL	4.7µH K

DIODE

D0101-13	MA3120/M/-X	ZENER DIODE	
D0601	RD8.2E/B2/-T2	ZENER DIODE	
D0602	MA3062/M/-X	ZENER DIODE	

△ Symbol No.	Part No.	Part Name	Description
TRANSISTOR			
Q0101	DTC323TK-X	DIGI. TRANSISTOR	
Q0102	2SA1037AK/QR/-X	SI. TRANSISTOR	
Q0103	DTC323TK-X	DIGI. TRANSISTOR	
Q0104-07	2SC2412K/QR/-X	SI. TRANSISTOR	
Q0108	2SA1037AK/QR/-X	SI. TRANSISTOR	
Q0109-10	DTC323TK-X	DIGI. TRANSISTOR	
Q0111-12	2SC2412K/QR/-X	SI. TRANSISTOR	
Q0116	2SA933AS/QR/-T	SI. TRANSISTOR	
Q0118	2SC1740S/QR/-T	SI. TRANSISTOR	
Q0119-20	2SC2412K/QR/-X	SI. TRANSISTOR	
Q0301	2SA1037AK/QR/-X	SI. TRANSISTOR	
Q0302-03	DTC124EKA-X	DIGI. TRANSISTOR	
Q0304-05	2SA1037AK/QR/-X	SI. TRANSISTOR	
Q0306	2SC2412K/QR/-X	SI. TRANSISTOR	
Q0307	2SA1037AK/QR/-X	SI. TRANSISTOR	
Q0308	2SC2412K/QR/-X	SI. TRANSISTOR	
Q0601	2SC2412K/QR/-X	SI. TRANSISTOR	
Q0602	DTC323TK-X	DIGI. TRANSISTOR	
Q0603	2SA1037AK/QR/-X	SI. TRANSISTOR	

IC

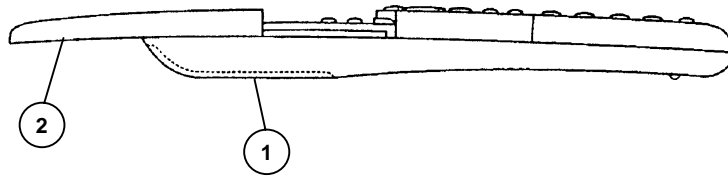
IC0101	CXA2089Q-X	I C	
IC0302	TDA9181T/N1-X	I. C. (MONO-ANA)	
IC0602	NJM2150AN-X	I. C. (MONO-ANA)	
IC0603	MSP3415DQGB3GHX	I. C. (MONO-ANA)	
IC0604	BA4558F-X	I. C. (MONO-ANA)	

OTHERS

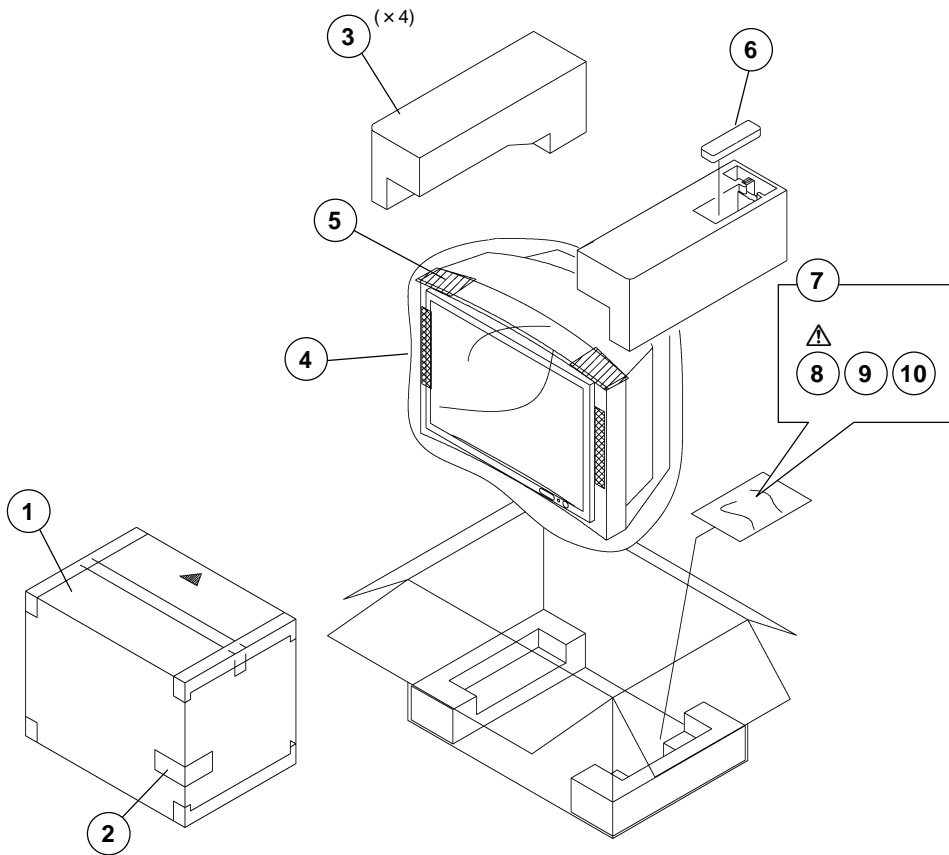
J0001	QNZ0465-001	PIN CONNECTOR	
J0002	QNZ0463-001	PIN CONNECTOR	
K0101-04	CE42681-001Y	BEADS CORE	
K0301	CE41433-001Z	BEADS CORE	
K0601	CE41433-001Z	BEADS CORE	
LC0601-02	CE42482-103Y	EMI FILTER	
X0601	CE42546-001Z	CRYSTAL	

REMOTE CONTROL UNIT PARTS LIST

△ Ref.No.	Part No.	Part Name	Description
1 2	2AA030733 2AA030740	BATTERY COVER SLIDE COVER	



PACKING



PACKING PARTS LIST

△ Ref.No. Part No. Part Name Description

AV28S2EKGR / AV28S2EKBL

1	AEM1002-074-E	PACKING CASE	
2	AEM1052-016-E	EURO LABEL	[AV28S2EKGR]
2	AEM1052-015-E	EURO LABEL	[AV28S2EKBL]
3	LC11012-002A-U	CUSHION ASSY	4pcs in 1set
4	AEM1047-002-E	POLY BAG	
5	AEM4091-001A-U	PROTECT SHEET	
6	RM-C55-1C	REMOCON UNIT	
7	AEM3021-002-E	POLY BAG	
△ 8	LCT0895-001A-U	INST BOOK	
9	BT-54013-1E	WARRANTY CARD	
10	AEM3148-001-E	REG SHEET	

AV28S2EIGR / AV28S2EIBL

1	AEM1002-074-E	PACKING CASE	
2	AEM1052-013-E	EURO LABEL	[AV28S2EIGR]
2	AEM1052-002-E	EURO LABEL	[AV28S2EIBL]
3	LC11012-002A-U	CUSHION ASSY	4pcs in 1set
4	AEM1047-002-E	POLY BAG	
5	AEM4091-001A-U	PROTECT SHEET	
6	RM-C55-1C	REMOCON UNIT	
7	AEM3021-002-E	POLY BAG	
△ 8	LCT0896-001A-U	INST BOOK	
9	BT-54013-1E	WARRANTY CARD	

